

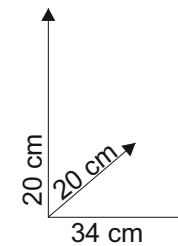
Sideboard Light - Windows

© www.inspiration-for-glass.com





Windows

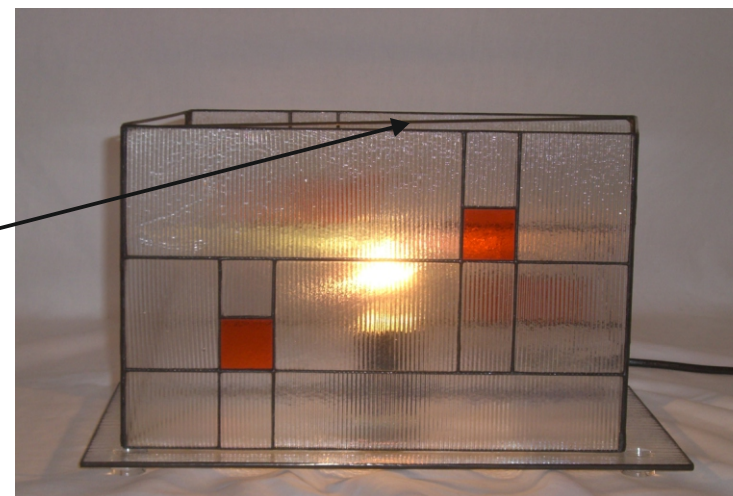


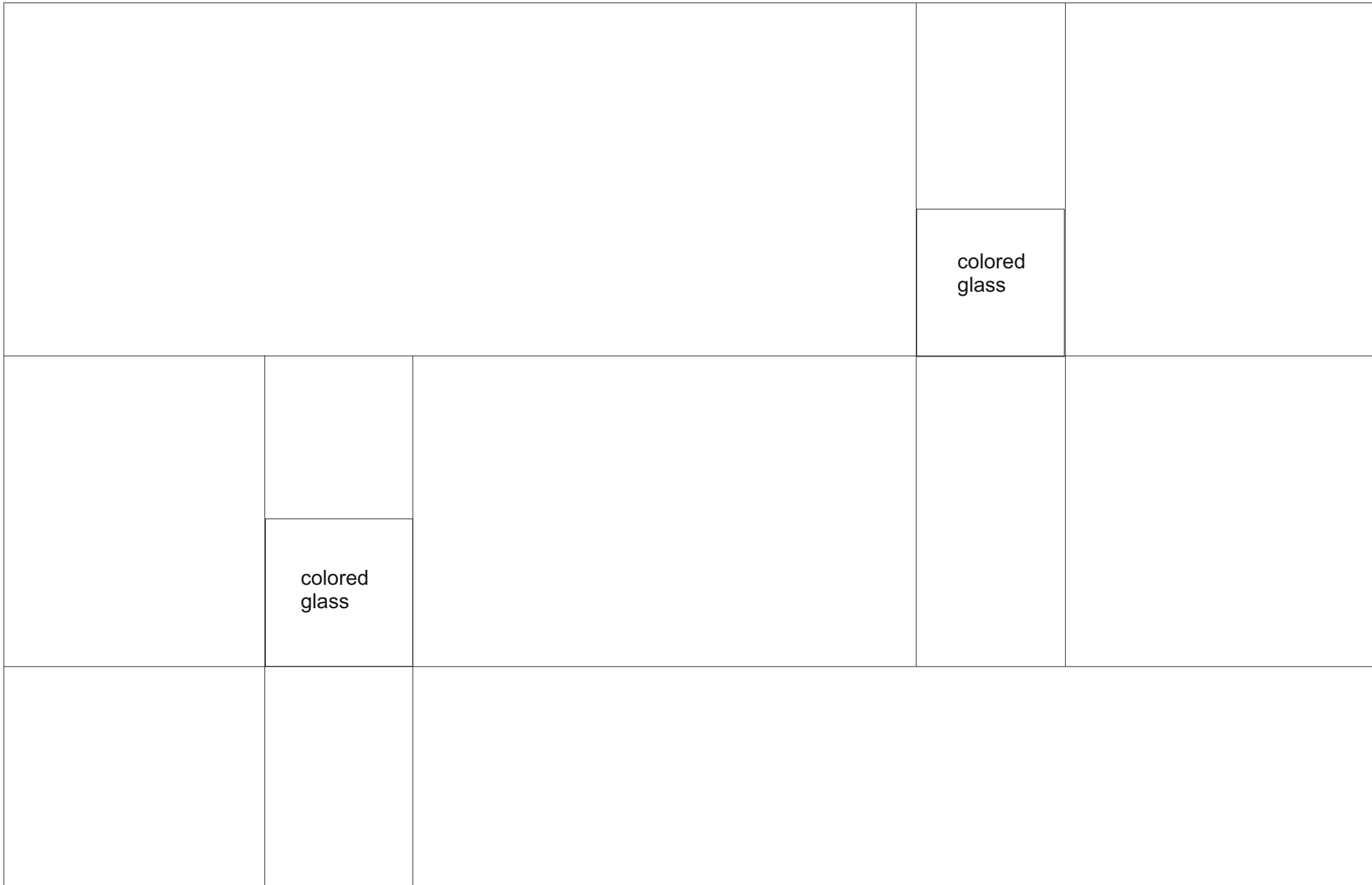
Example:
Window: Bullseye orange iridescent, 1125-31 Fi
Walls : clear iridescent, Reed texture, 1101-44 Fi
Bottom : clear iridescent, Accordion texture, 1101-46 Fi



Connect the two walls with 2mm tin-coated brass tube (4251800) as shown in both pictures.

15cm distance between both walls.

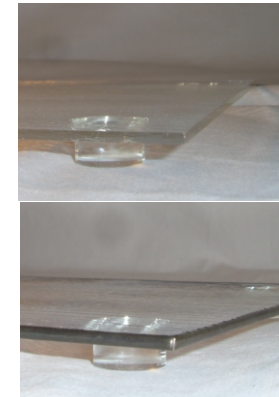






The light base: 20 x 34 cm

The light base is made from a piece of glass 20 x 34 cm with a 12mm drilled hole in it's middle and four small glass cylinder as legs, that are glued to the base corners.

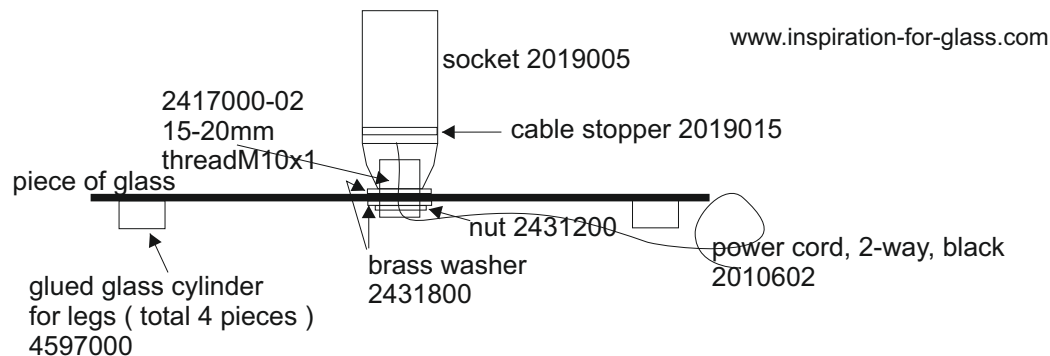


light base not soldered around

light base soldered around

The edges of the base can be covered with copper foil and soldered around - however, does not have to. If you have cut the sheet carefully enough a most lightly deburring of the sharp edges should be fine (mainly with a grinding pad).

The light base construction:



Also see detailed description to the construction of the light base.