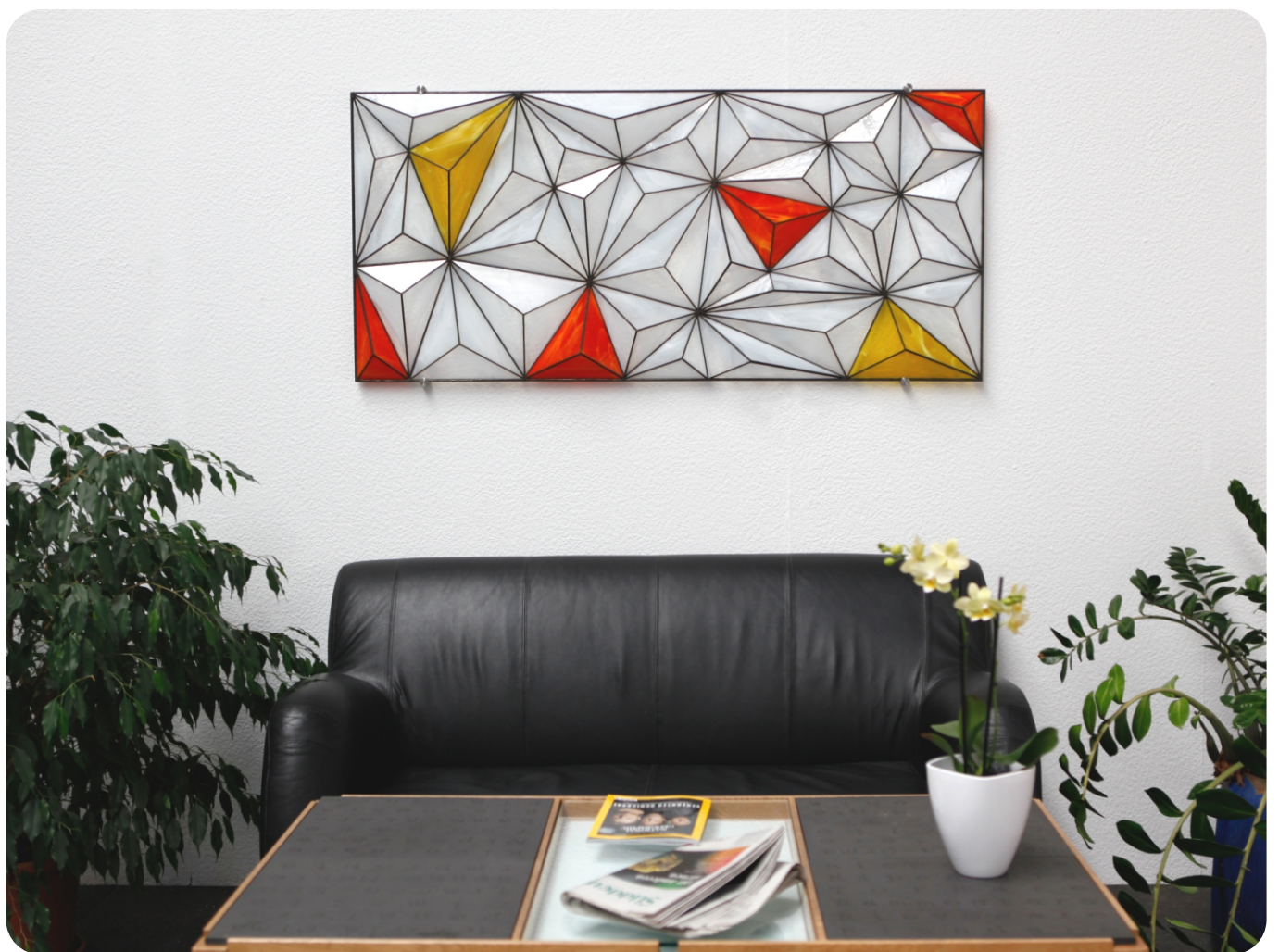


Wall Picture 3D - Light and Shadow

© www.inspiration-for-glass.com



Wall design - Light and Shadow - original size approx. 62 x 140 cm (24" x 55")



“ Light and Shadow “

As without light no shadow so no mountains without valleys.
Imagine you stand at the top and enjoy the distant view over a mountainous landscape. Fascinated by the multi-faceted view over a scenery of light and shadow, you can leave everyday life behind for a moment. Relax. Enjoy the sight of the differently intense surfaces. Whether you see a hilly desert landscape now or steep rock formations, light and dark is just an illusion. Only through the different light incidence, some areas appear brighter, others more intense.

I deliberately chose different sized shapes for this wall design. The heights of the total of 37 elements vary between 20 and 40 mm. This makes every glass segment unique, a variety of light and shade.

A few refreshingly colored elements add interesting accents.

It is at least helpful if you have ever soldered some smaller three-dimensional objects before such a large project, for example, a few tealights or candle holder. This practices the clean soldering of the glass edges.

With a little practice, you can make a glass art piece which fascinates again and again.

Enjoy glass design!

Material:

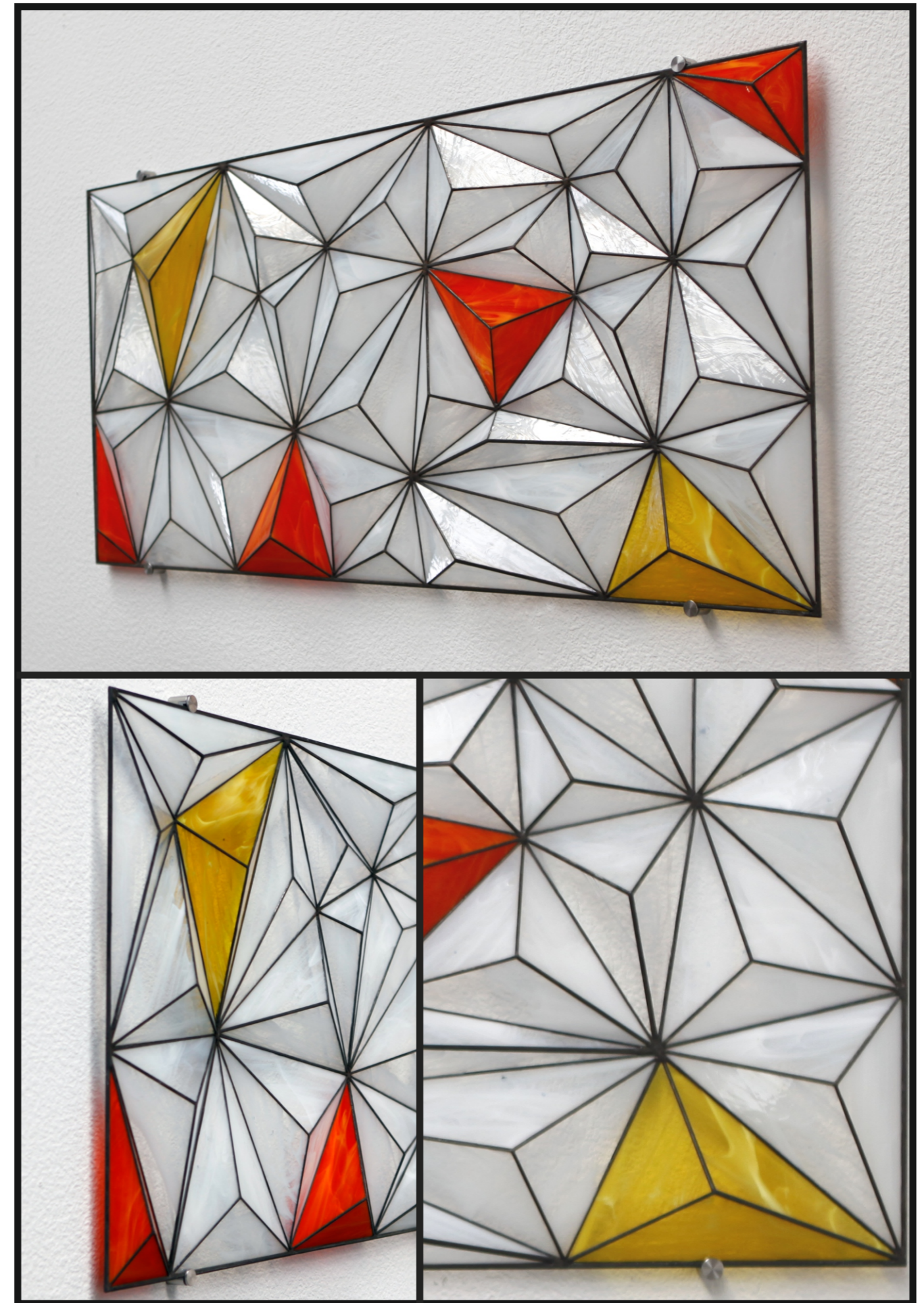
stained glass:
3-4 sheets Oceanside Glas 309s-F
0,5 sheets Oceanside Glas 367-1s-F
0,5 sheets Oceanside Glas 379-1s-F

(1 sheet = 61x122cm / 24x48")

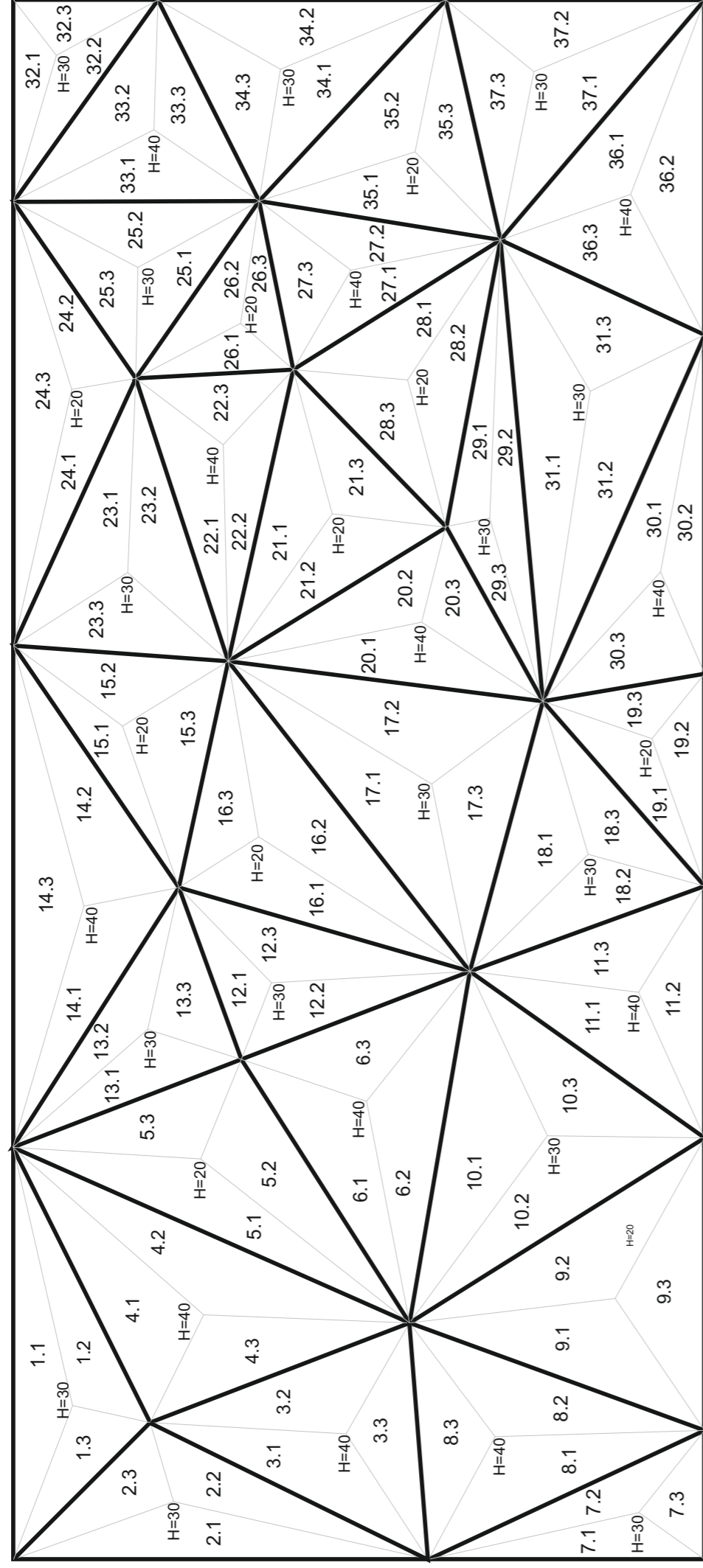
Reinforcement:
10 meter 4220000 tsteel bar 3,6x1mm
5 meter 4252000 brass tube d=5mm

Wall mounting:
4 x 4596010 spacer V2A, clamp holder 4-10mm

“ Light and Shadow “ consists of 37 three-dimensional triangles, each consisting of three pieces of glass.



Attention ! This drawing shows the top view of the glass picture. This drawing is not a pattern and no copy template.



This overview shows in what arrangement you will put together the finished soldered three-dimensional triangles later. The pattern on a scale of 1 : 3 can be found on the following pages (The dimensions are the true final dimensions). First, you can transfer the pattern to paper based on the information and then onto the glass - as usual in copper foil technology. Alternatively, you can also draw the design directly on the glass - this saves a lot of work and pattern board. Work with precision - this is especially important in such a complex three-dimensional glass picture!



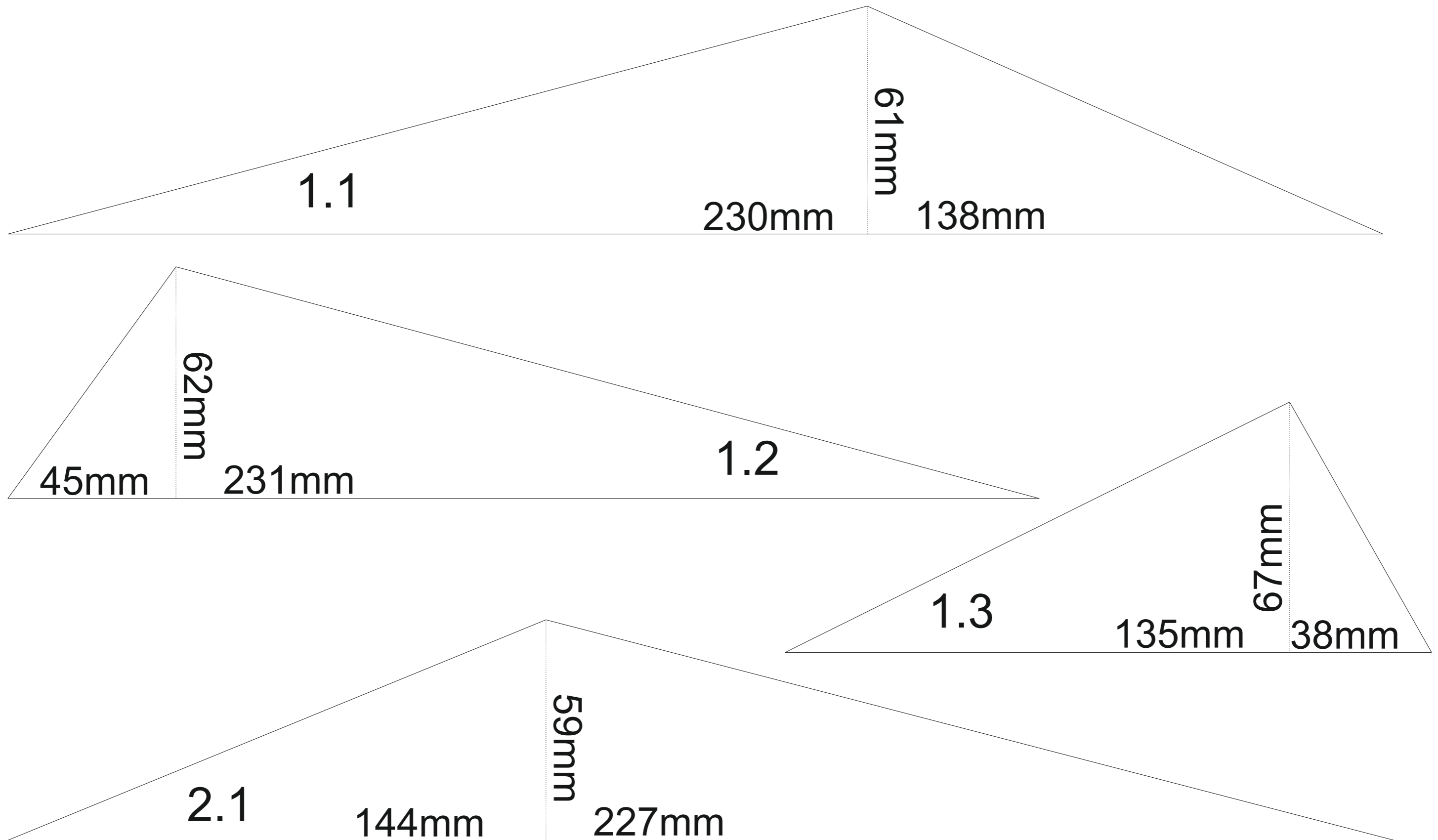
The overall approx. 142 x 62 cm large picture is relatively unwieldy and requires some practice in dealing with larger glass pictures.

Solder the individual triangles from the inside, too, before assembling the complete picture.

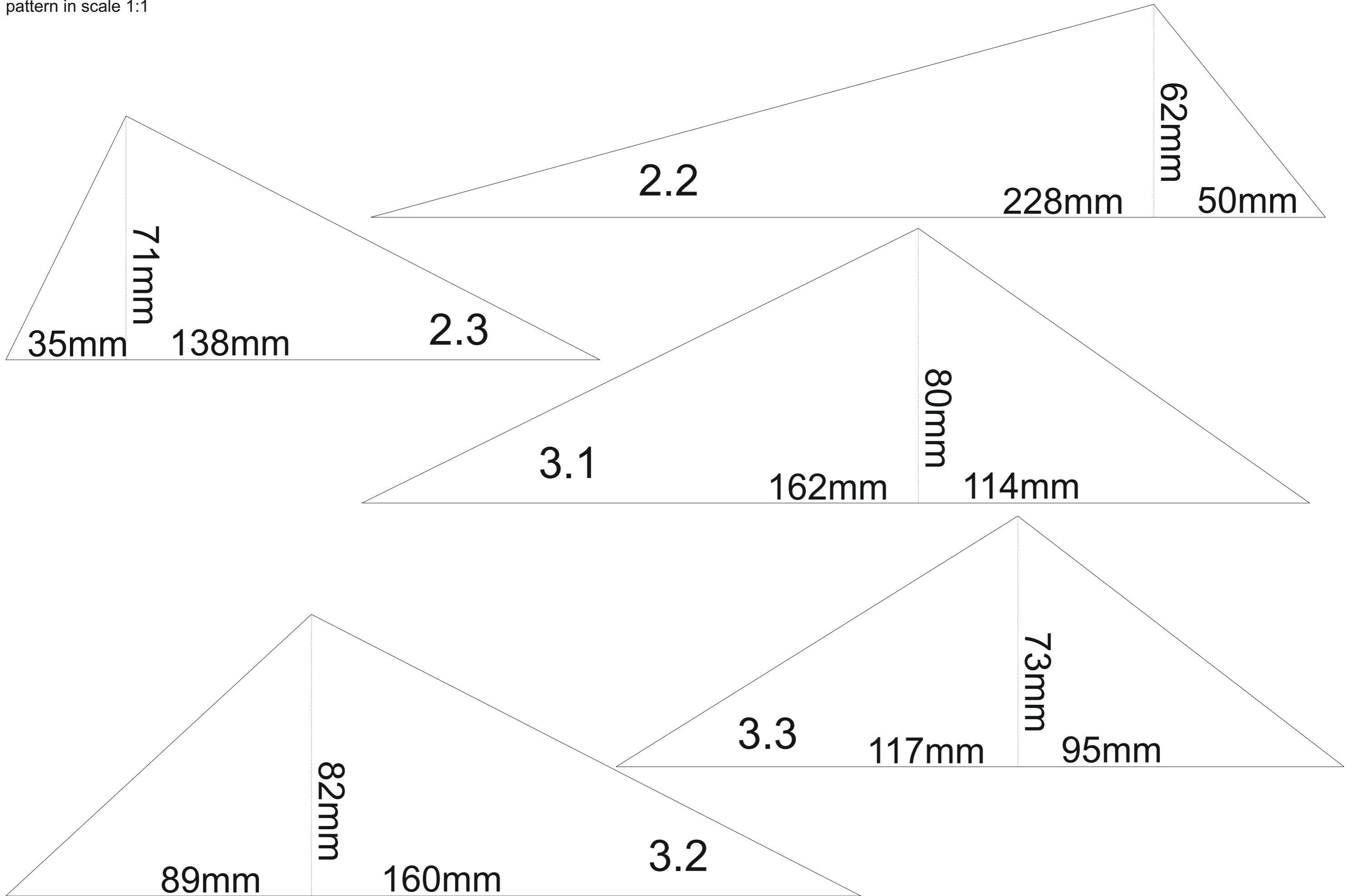
In the first step, solder the 37 three-dimensional triangles. The individual triangles are still quite handy ...



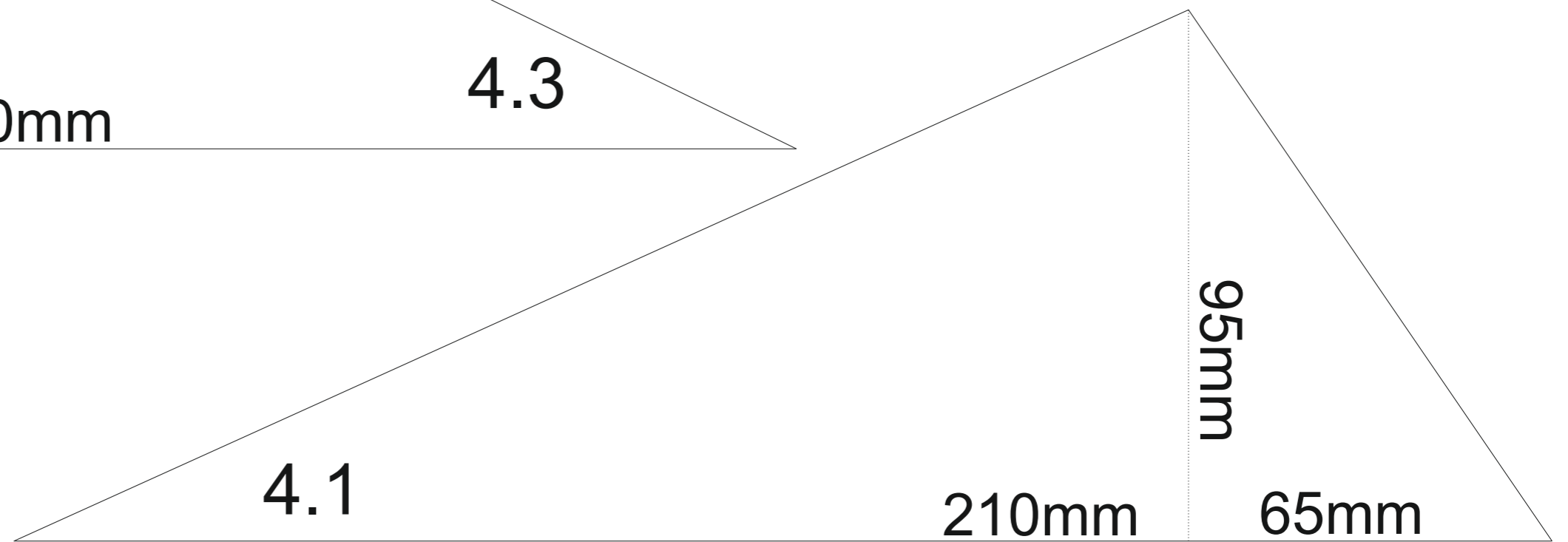
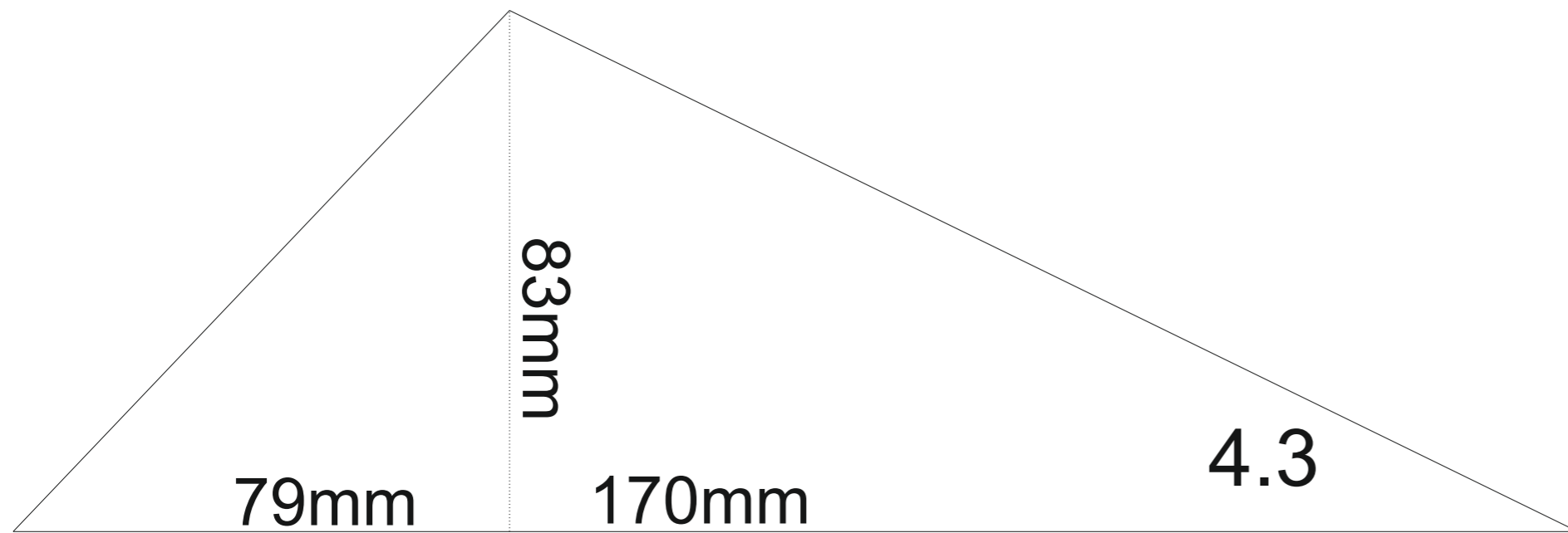
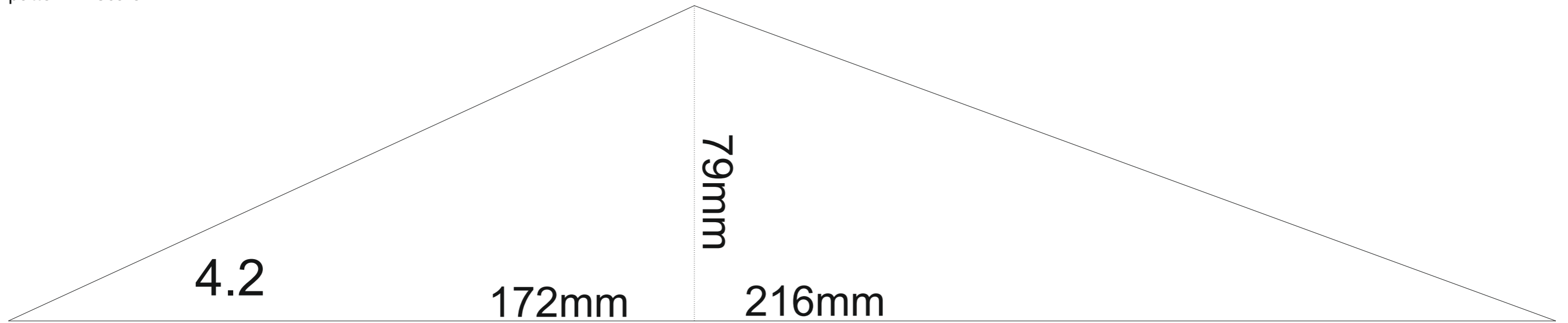
pattern in scale 1:1



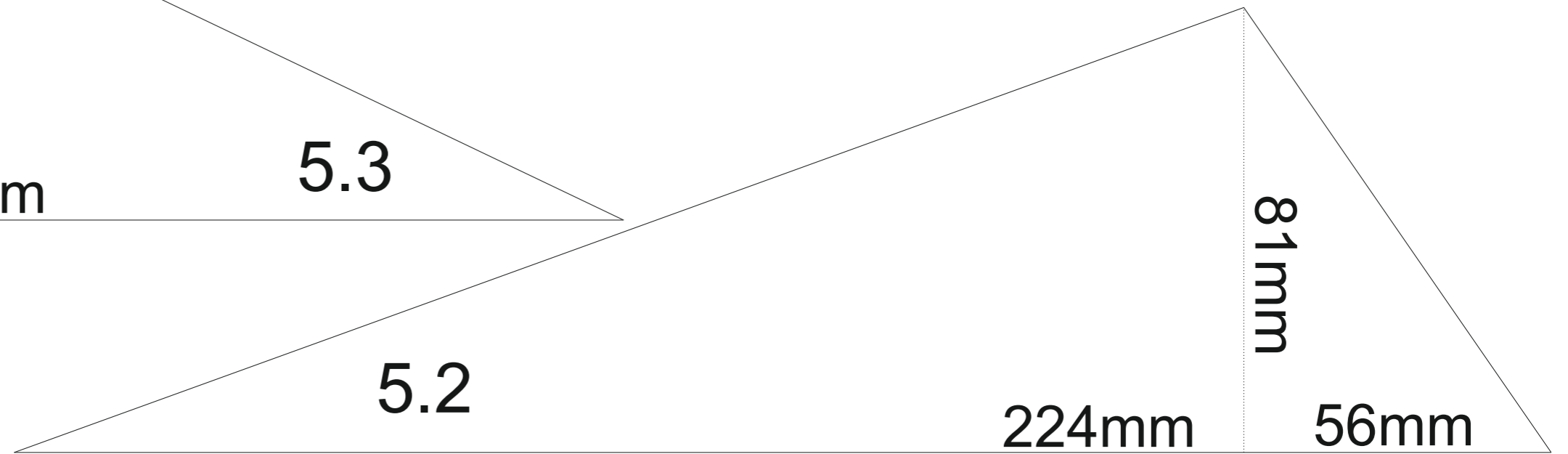
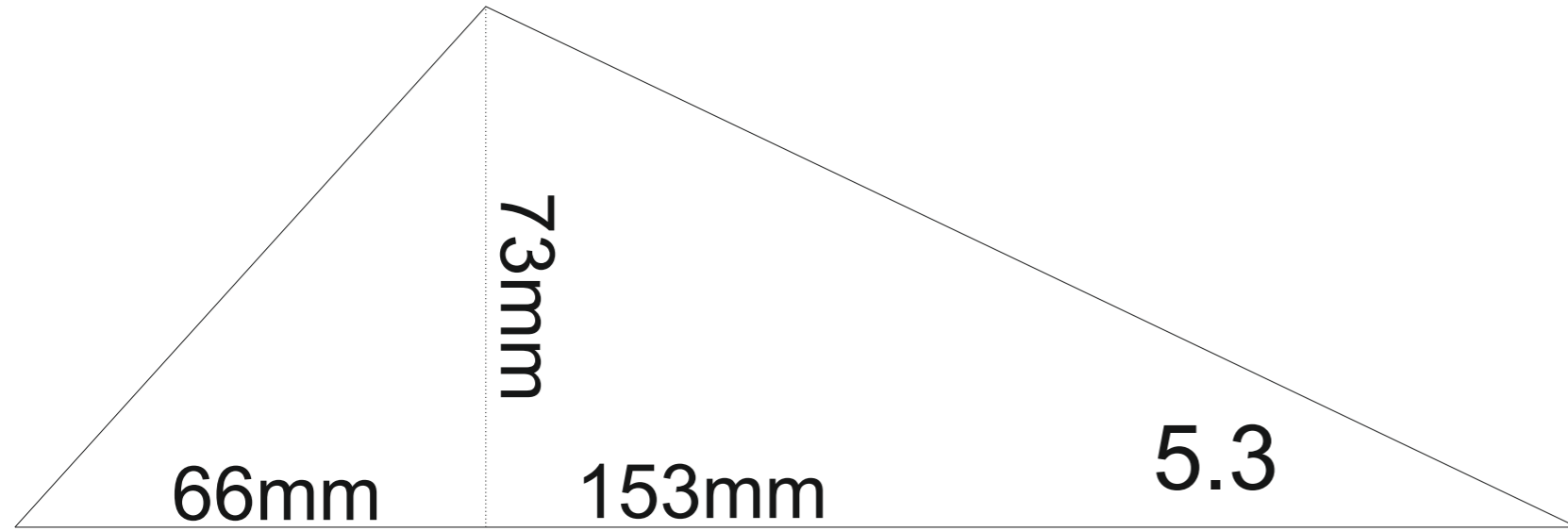
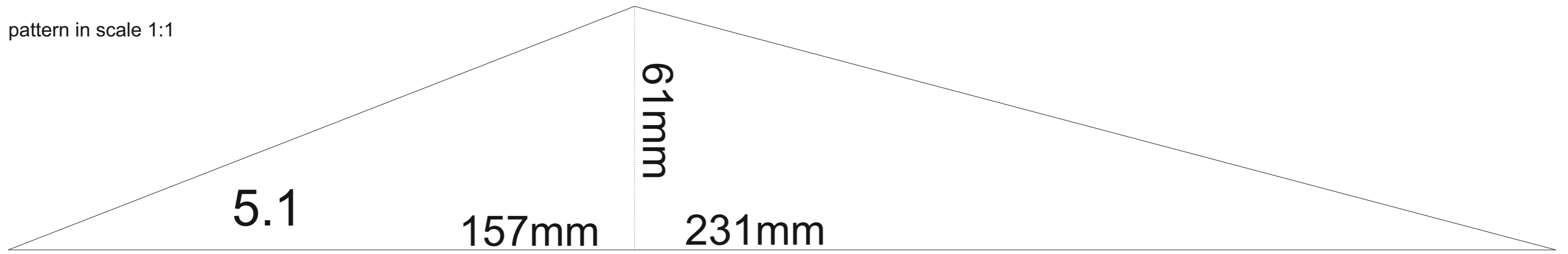
pattern in scale 1:1



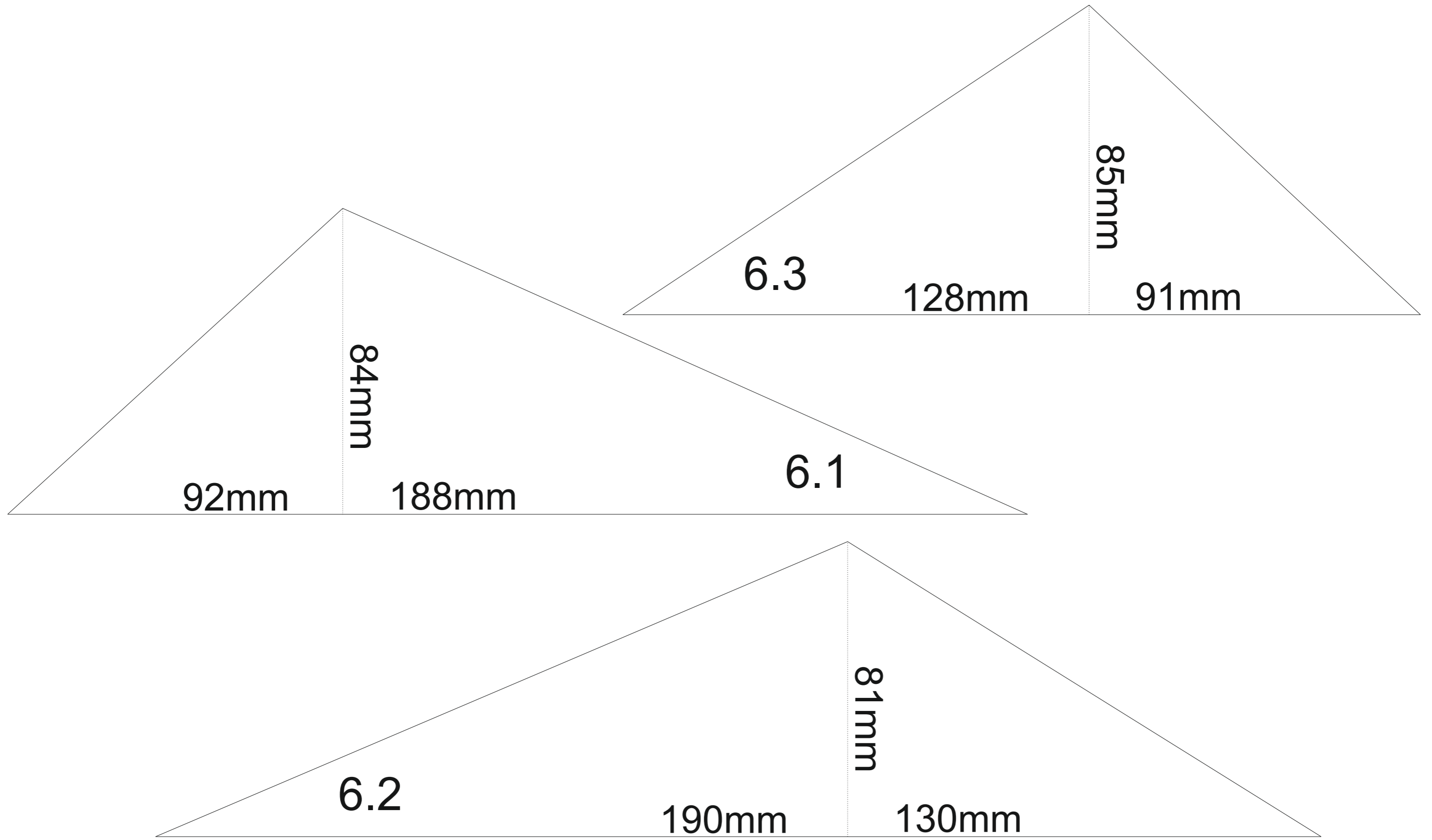
pattern in scale 1:1



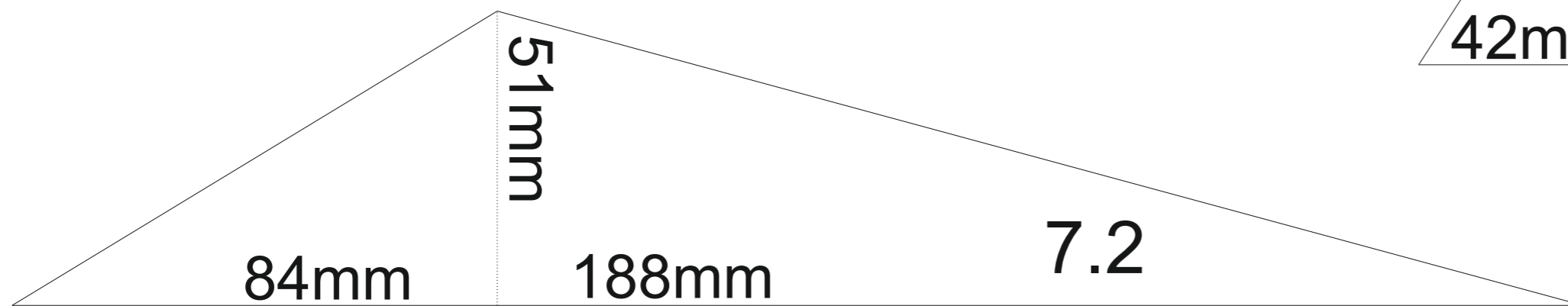
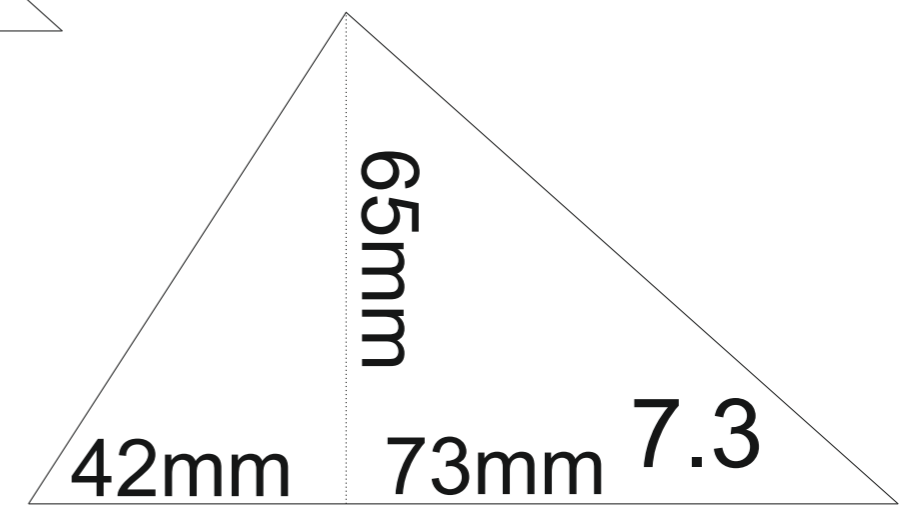
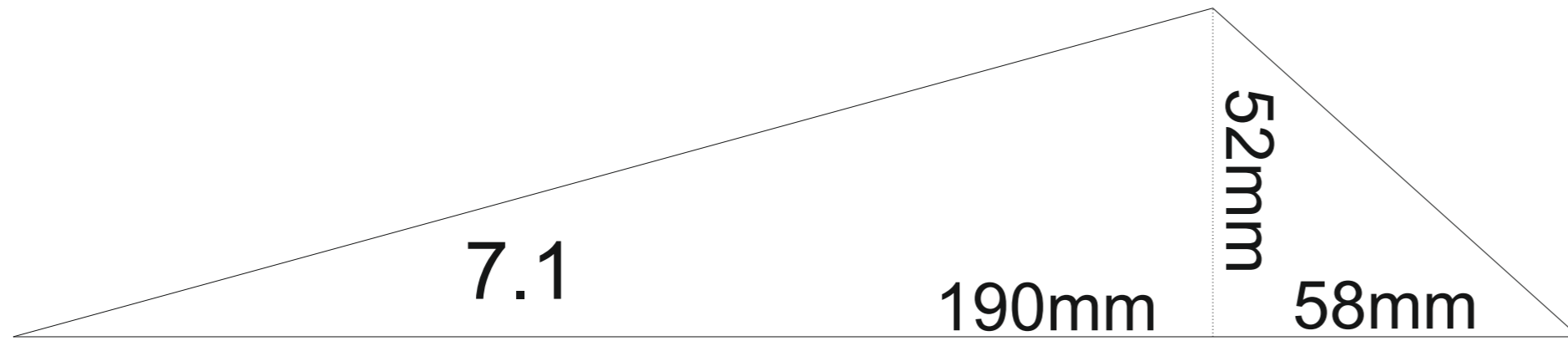
pattern in scale 1:1



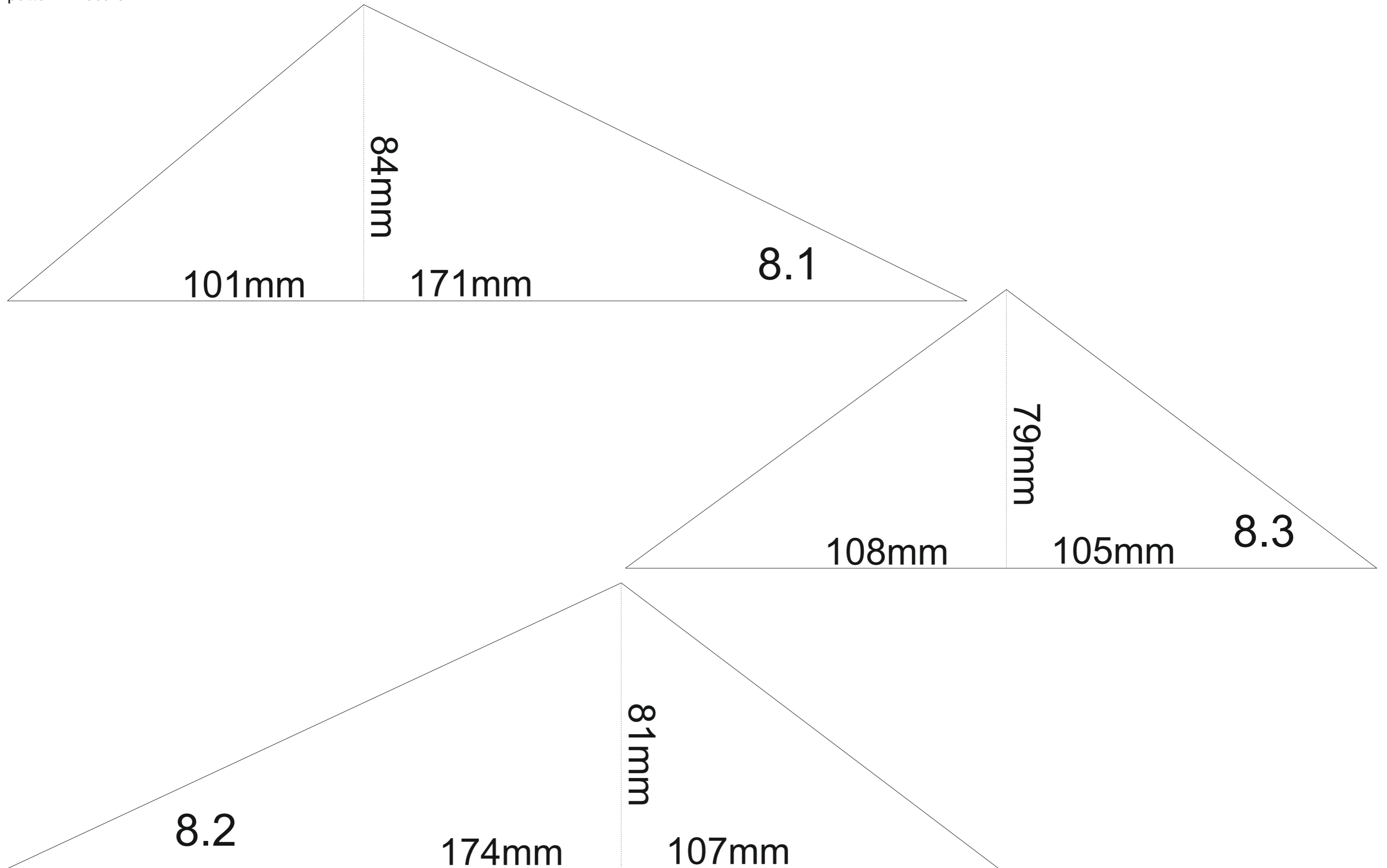
pattern in scale 1:1



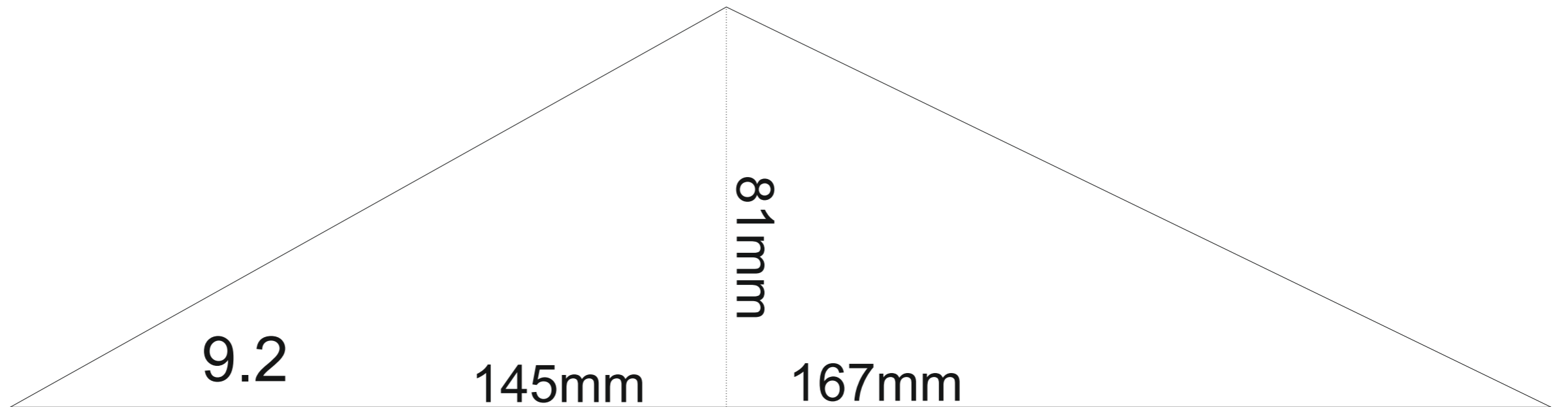
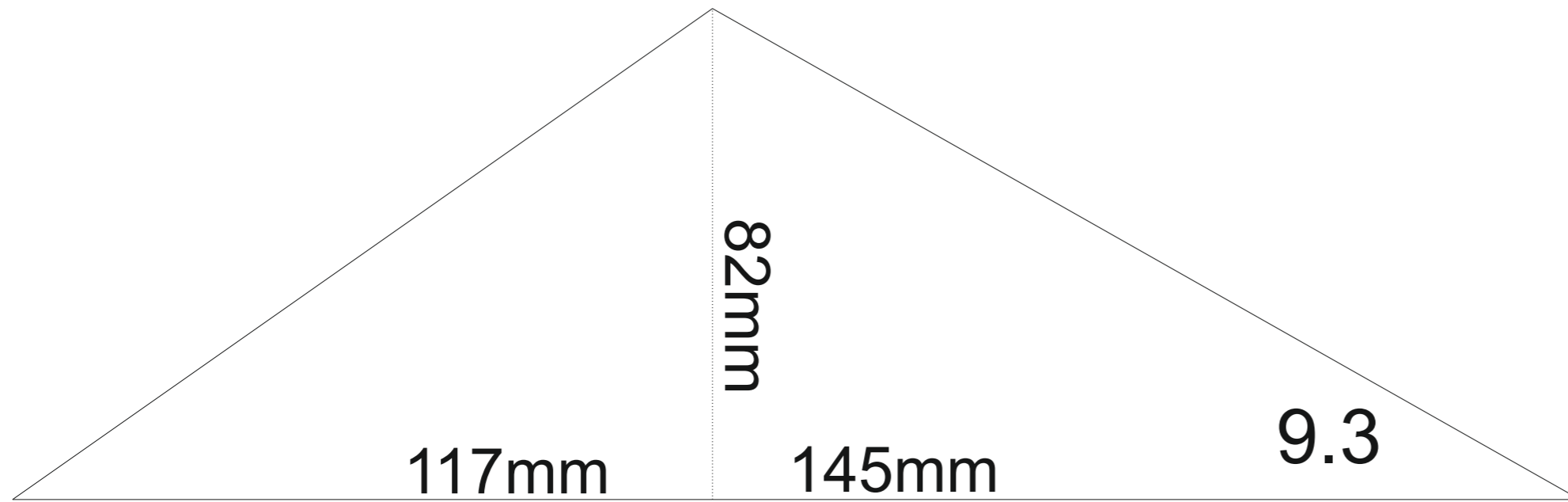
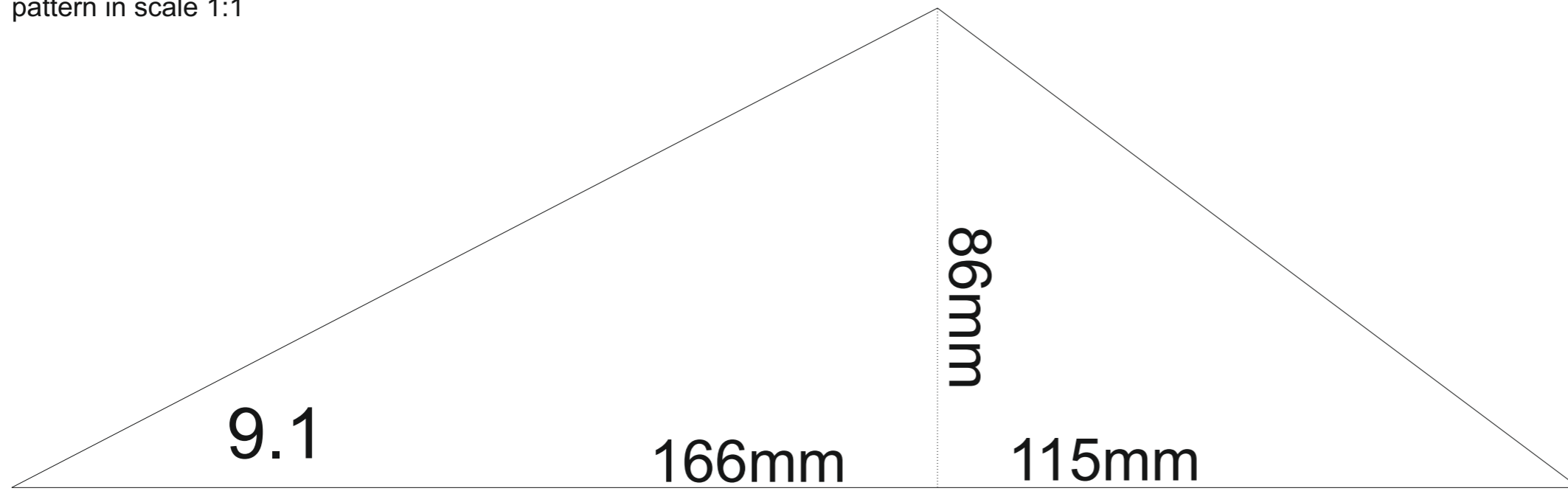
pattern in scale 1:1



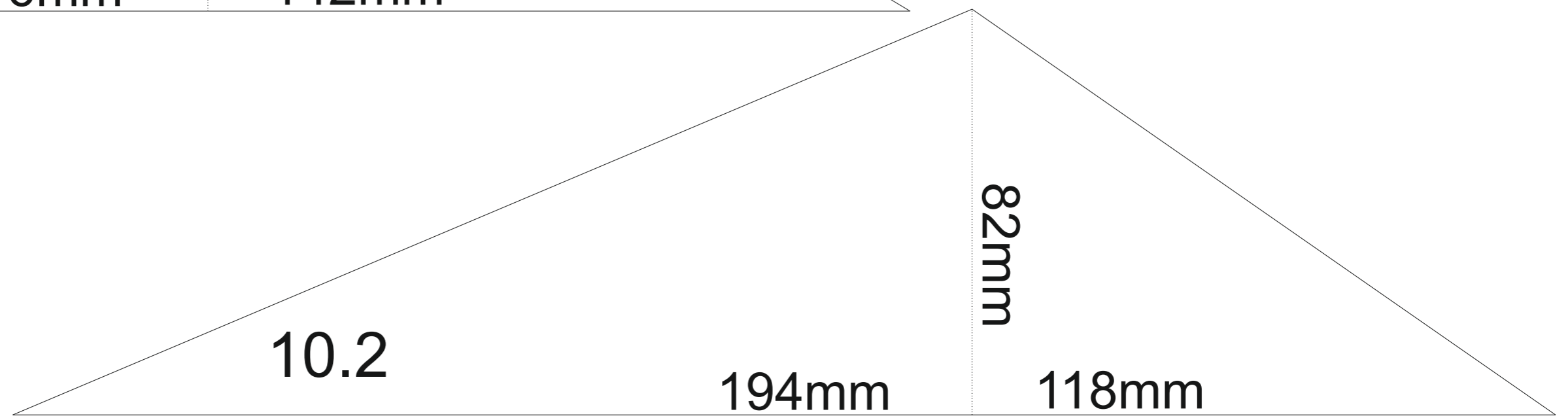
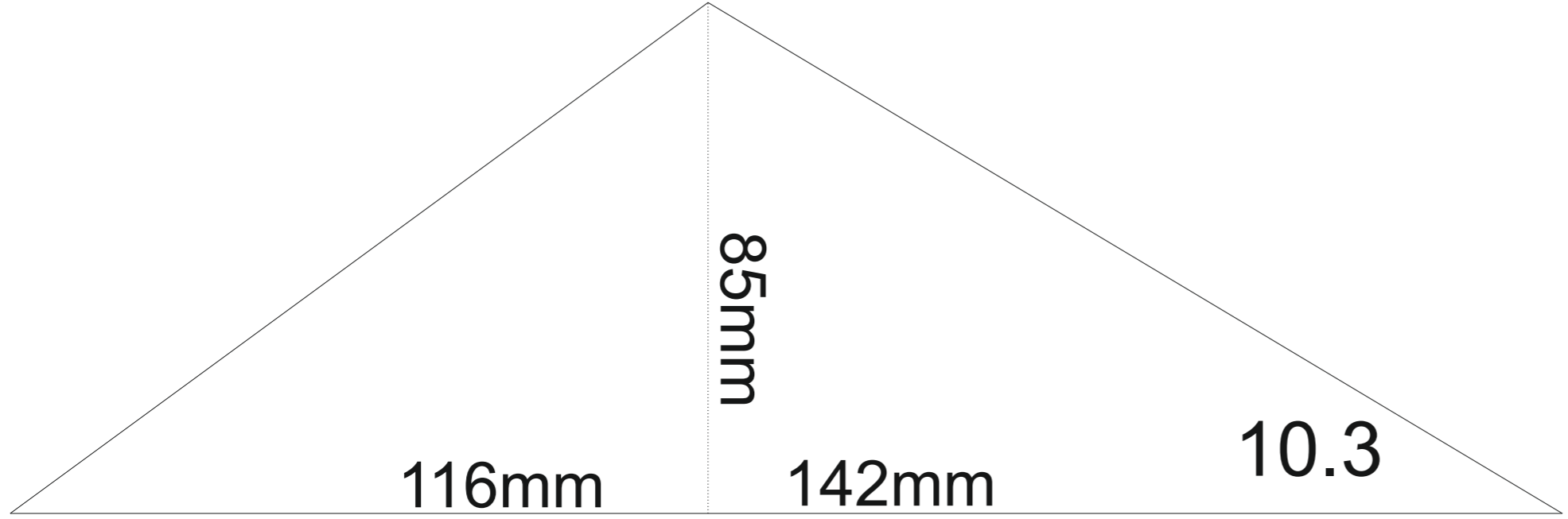
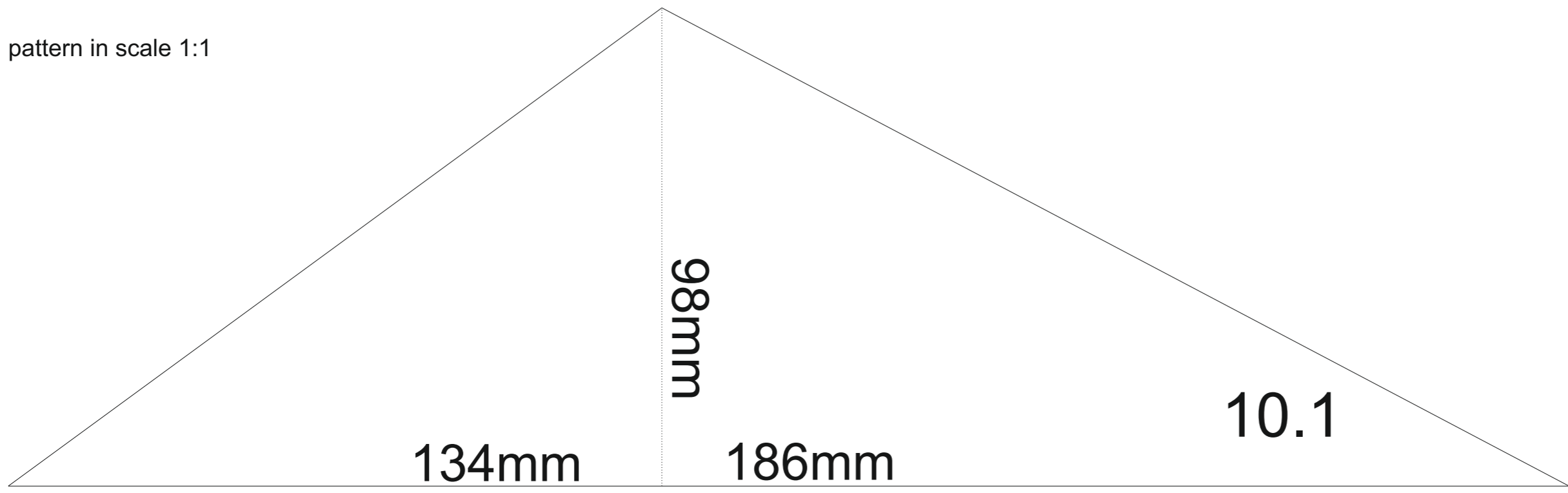
pattern in scale 1:1



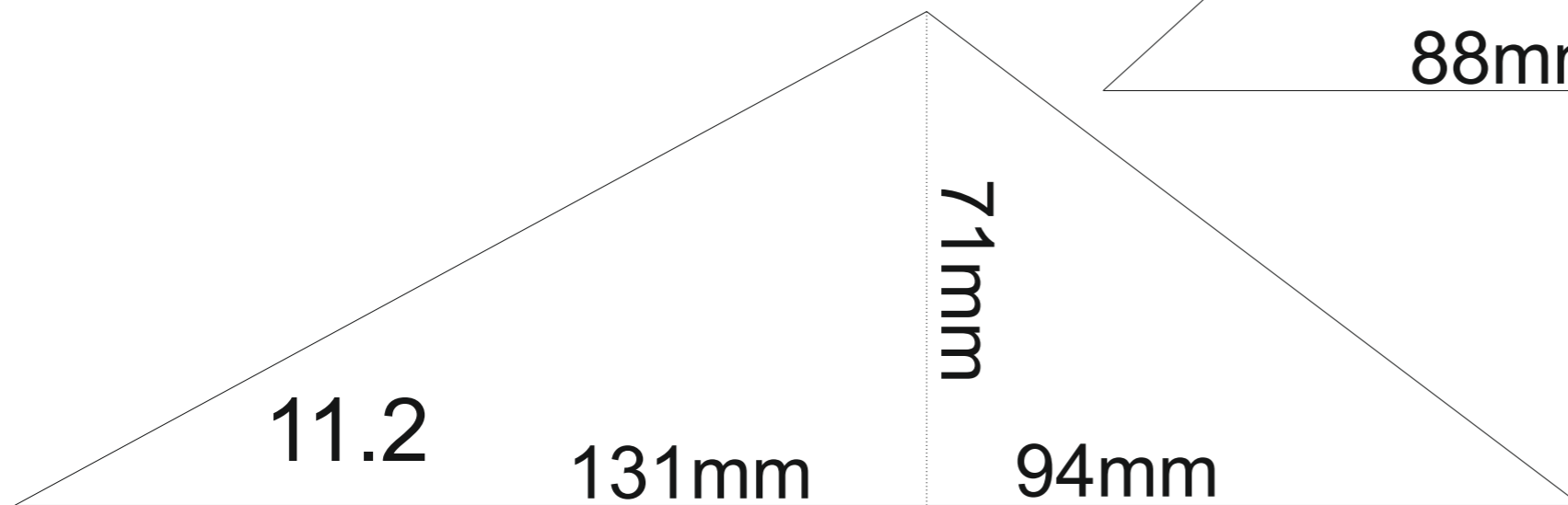
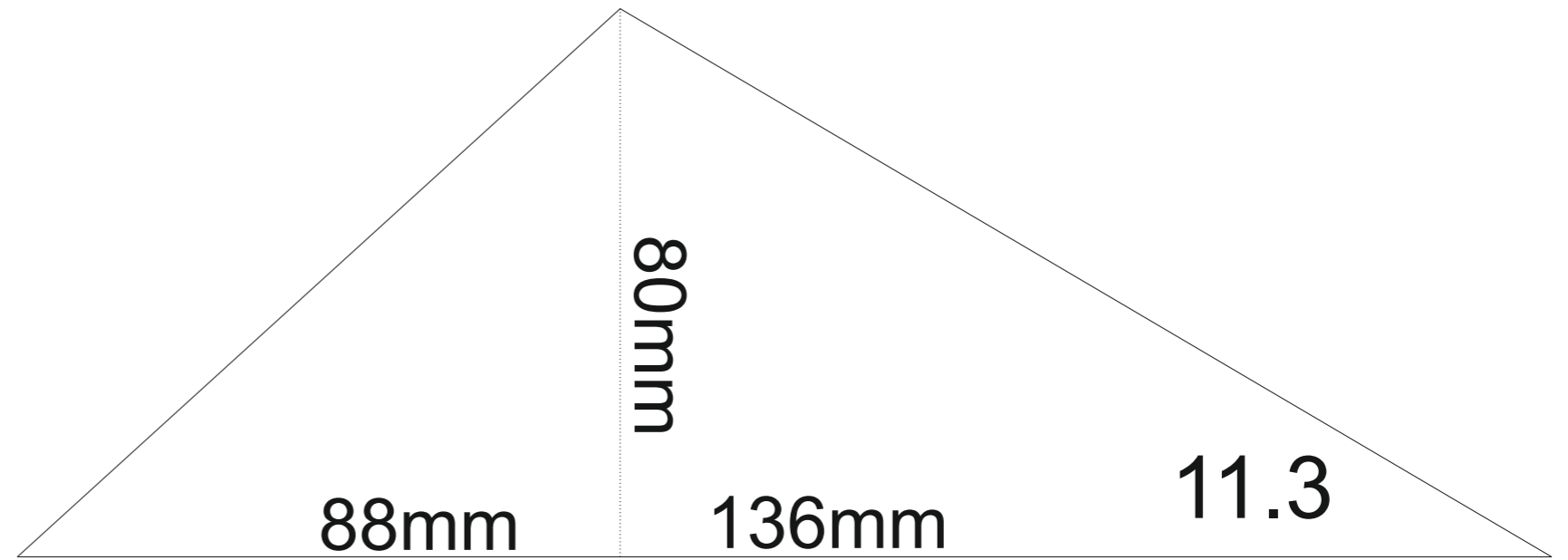
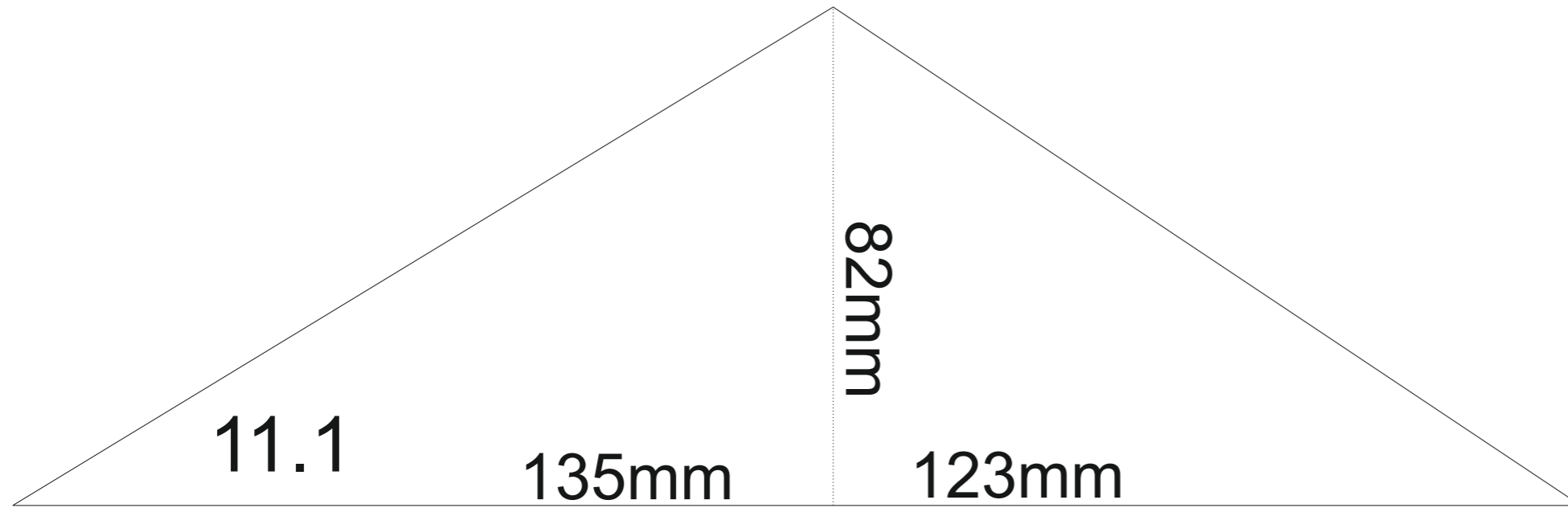
pattern in scale 1:1



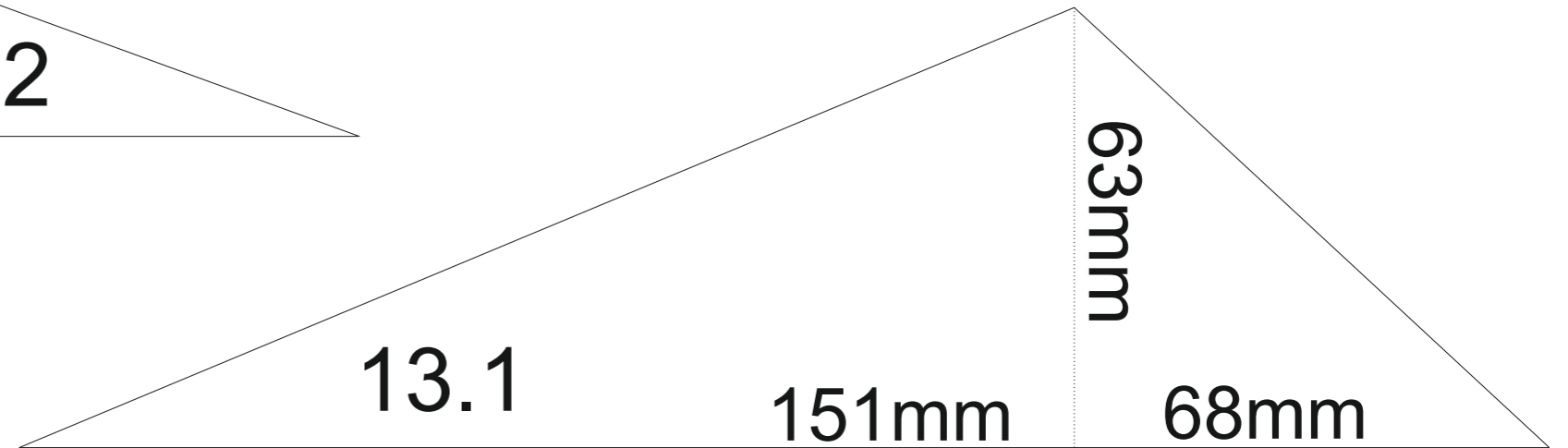
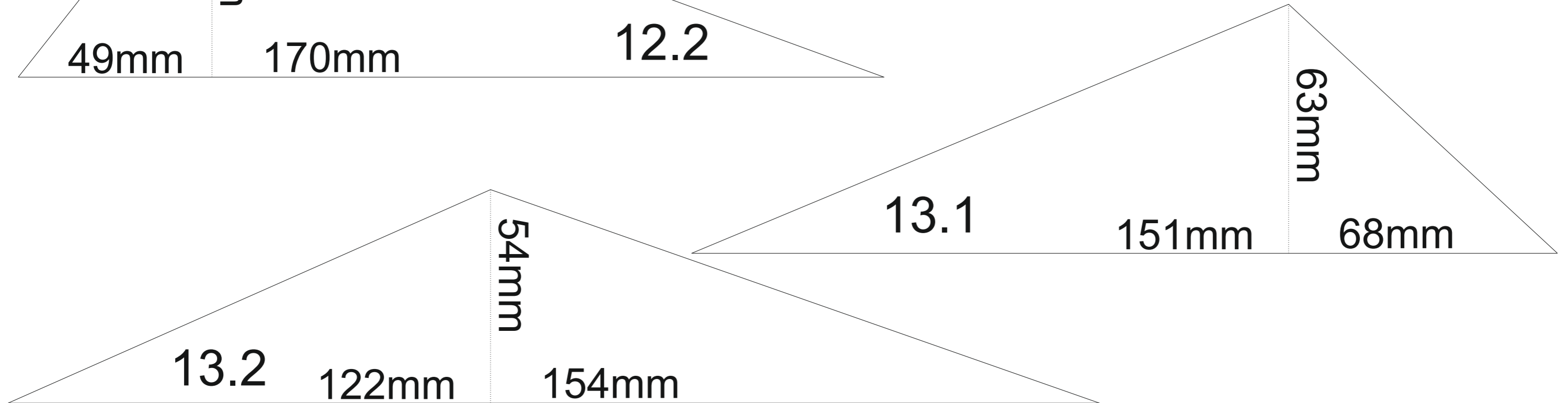
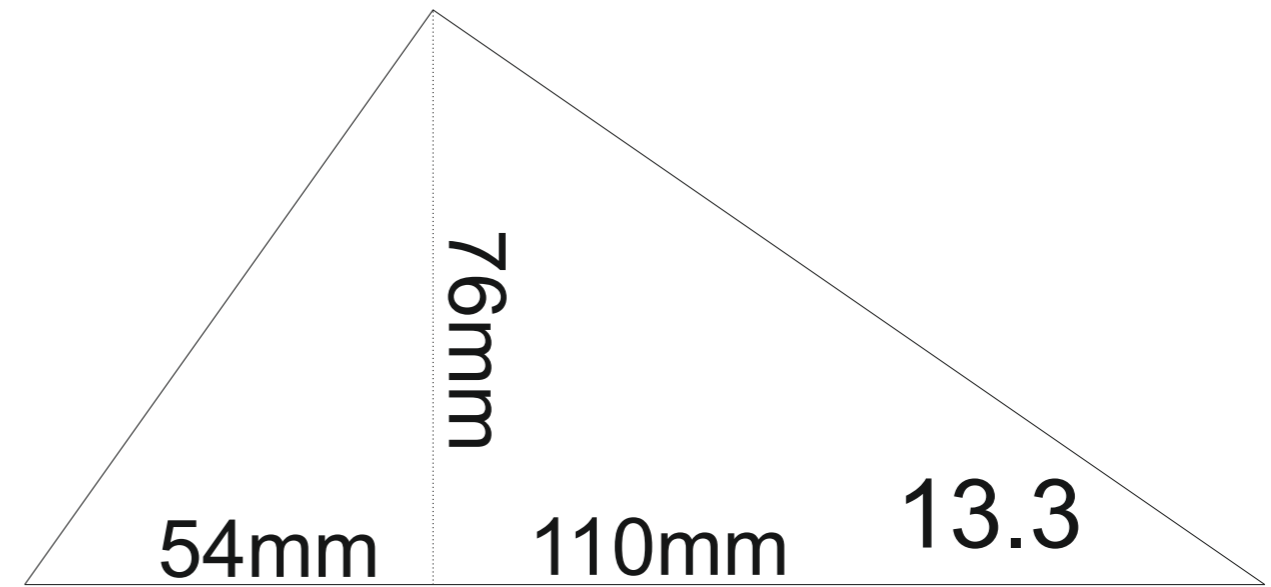
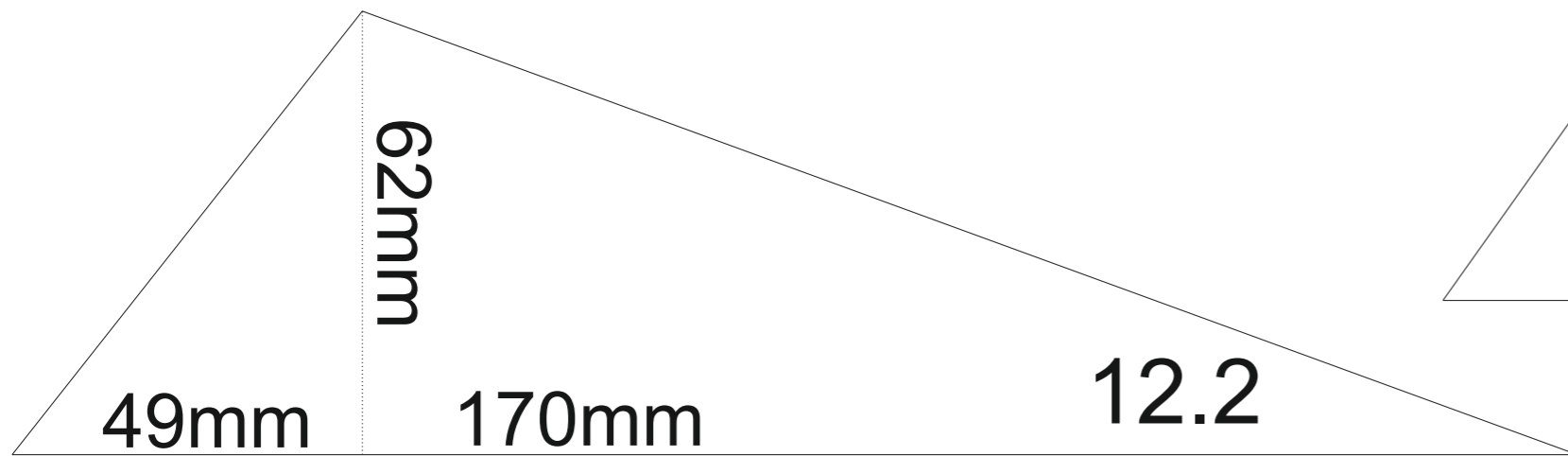
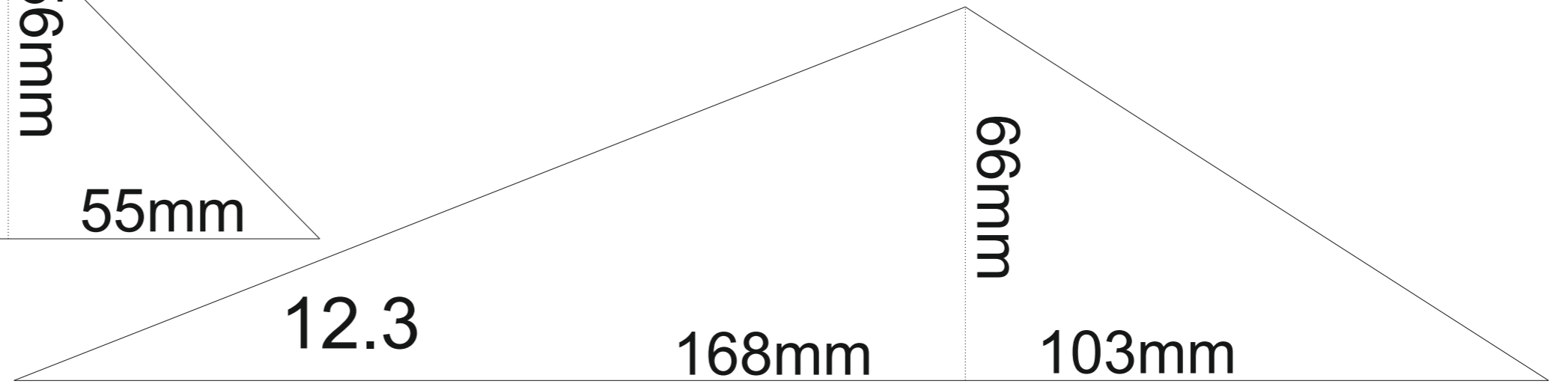
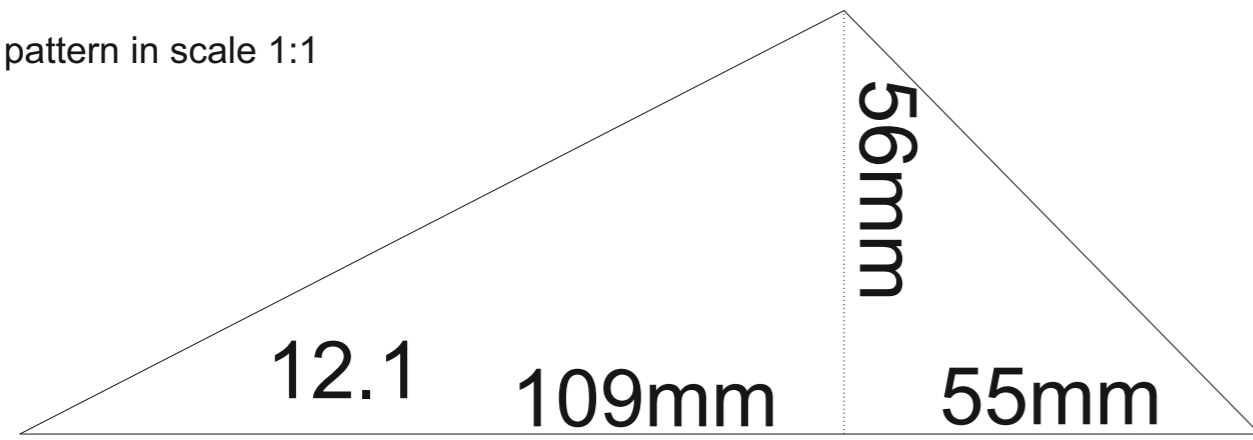
pattern in scale 1:1



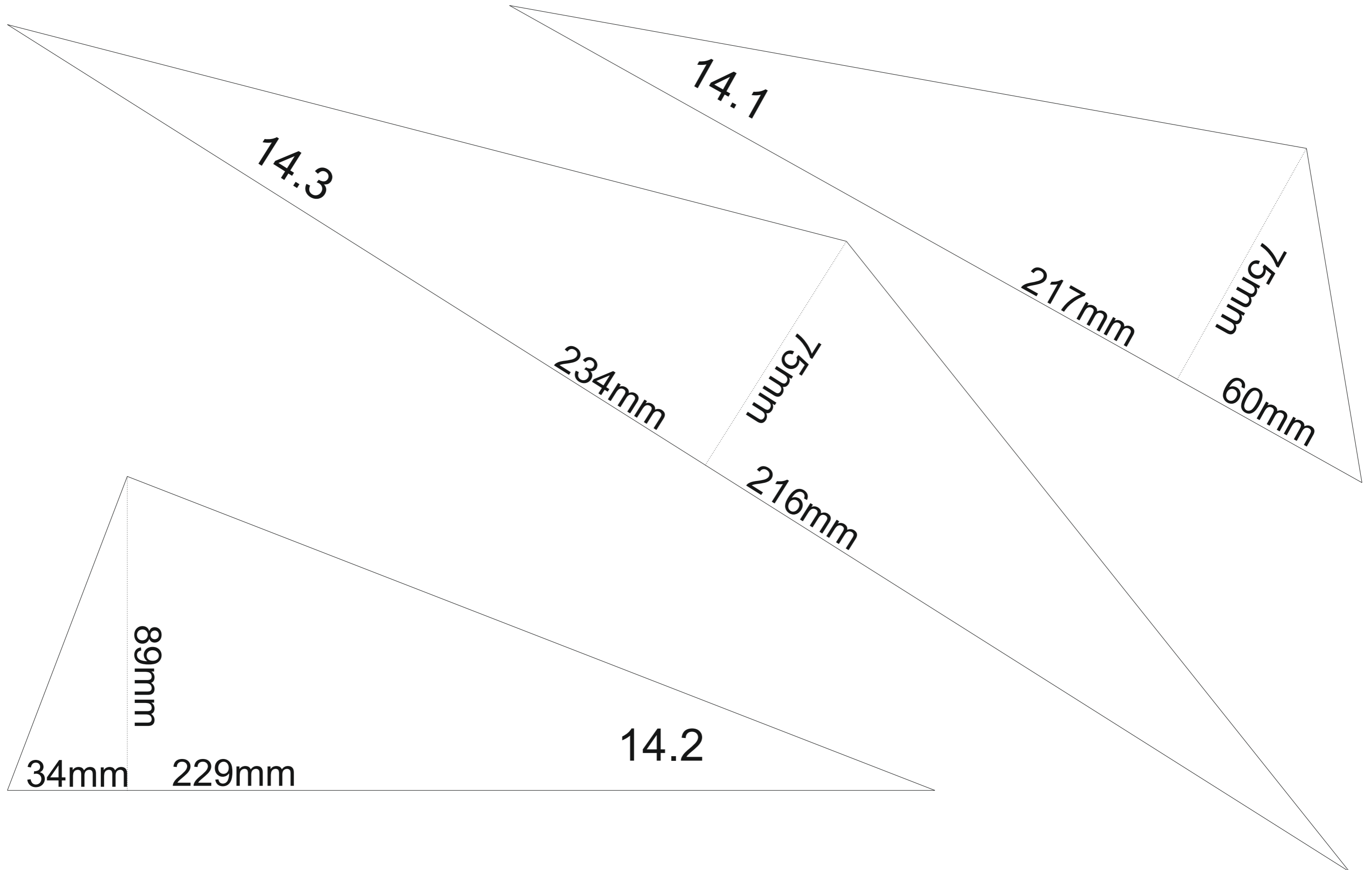
pattern in scale 1:1



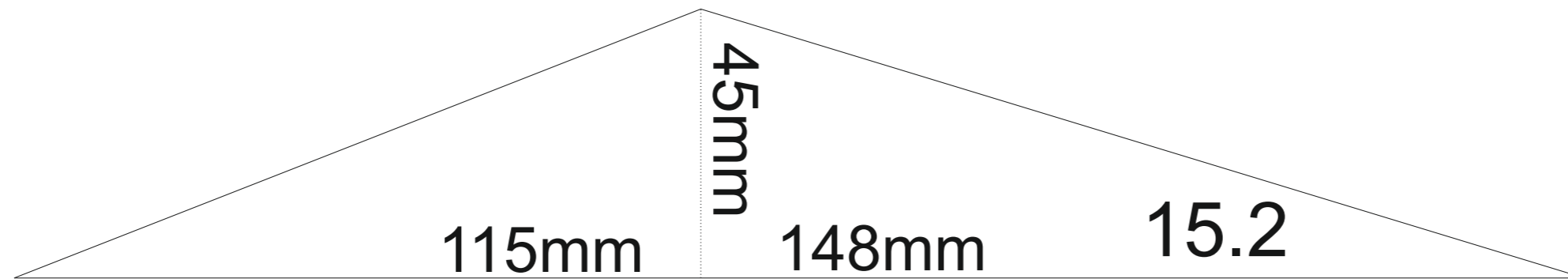
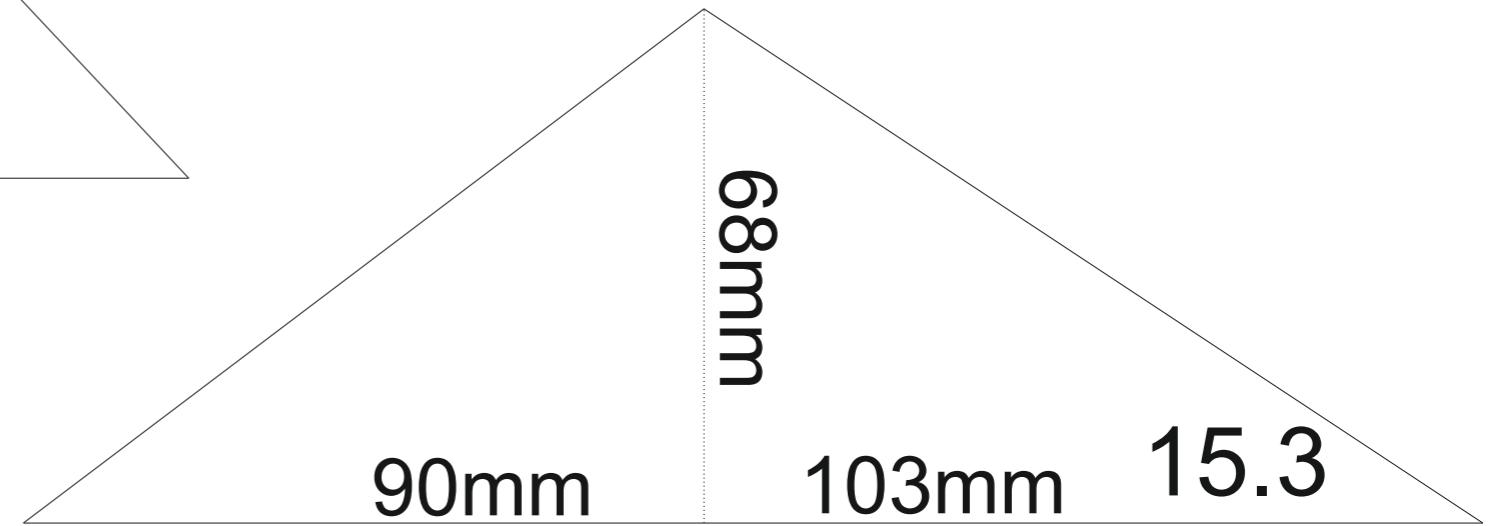
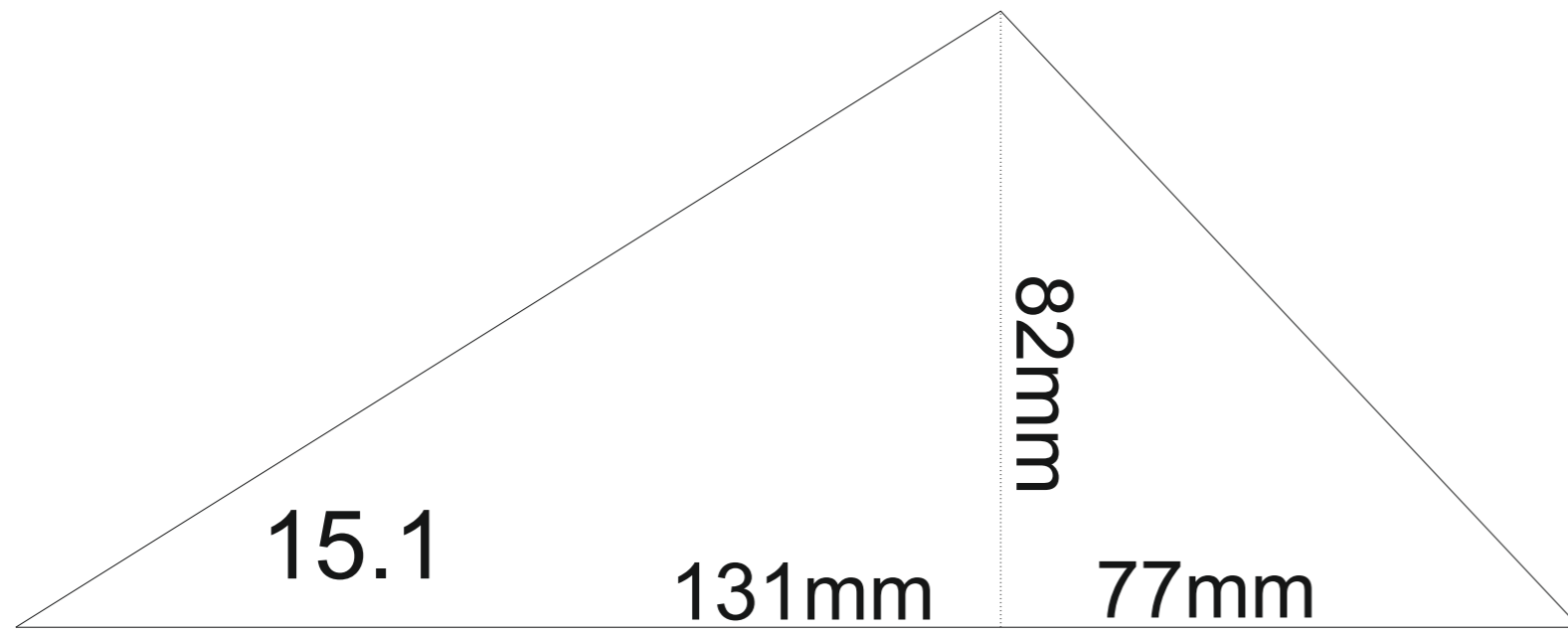
pattern in scale 1:1



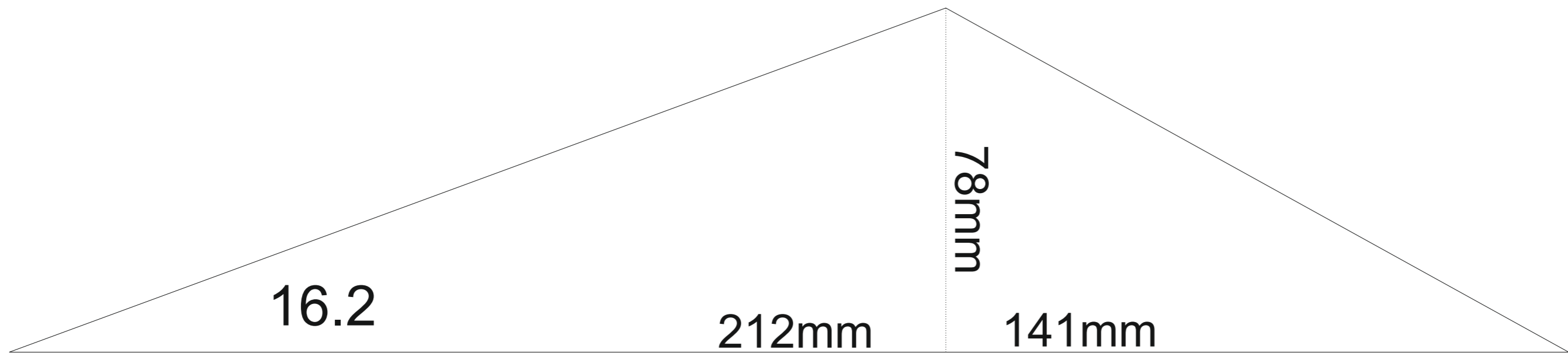
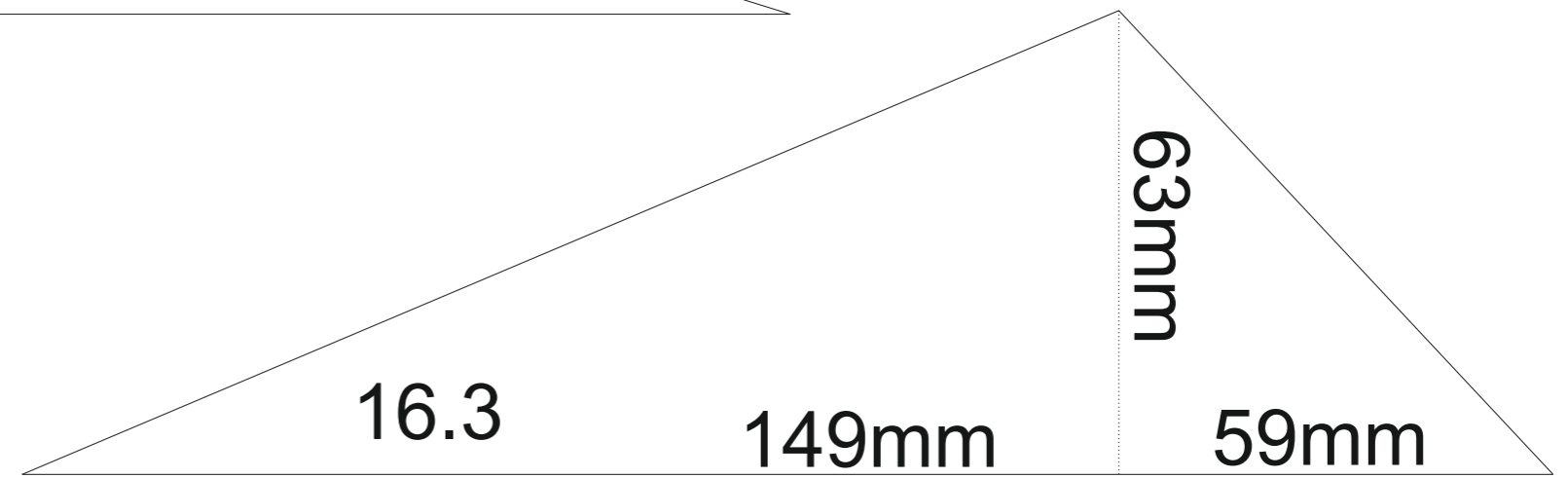
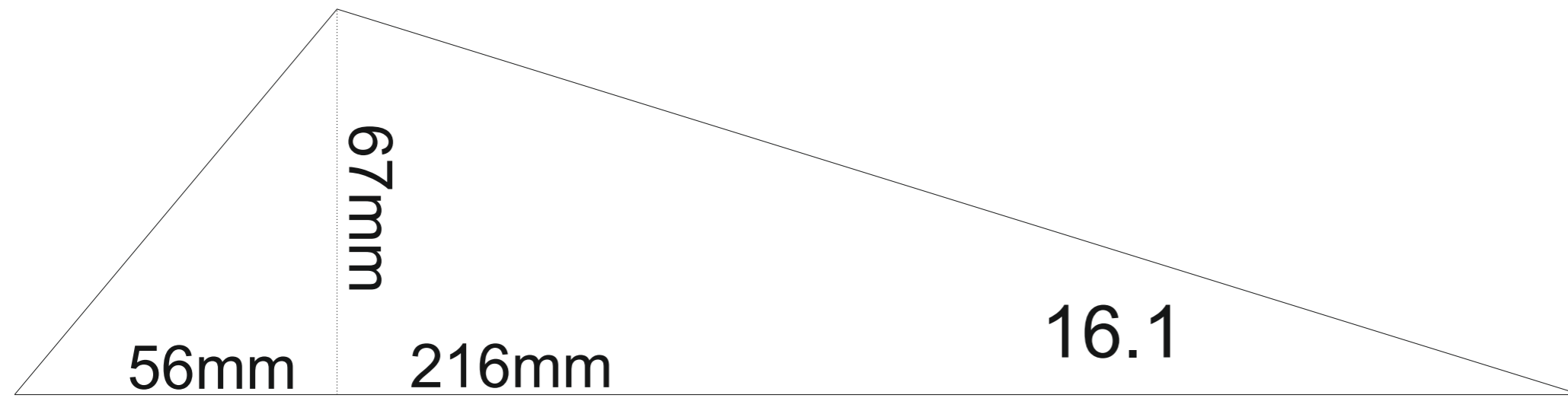
pattern in scale 1:1



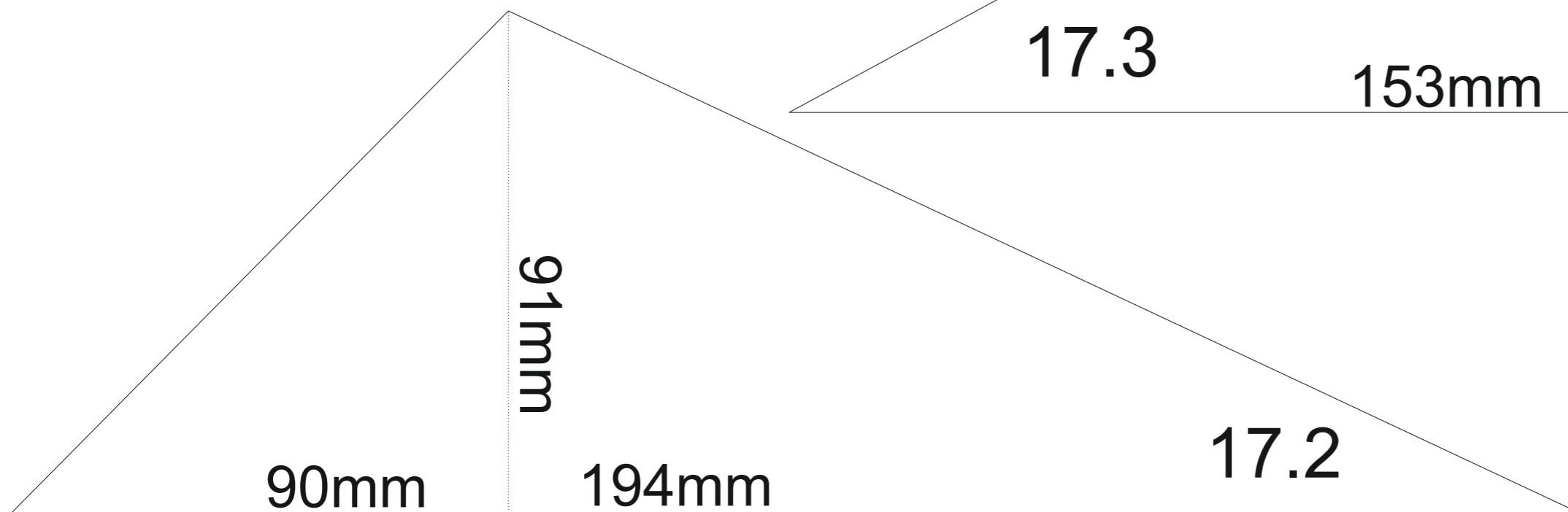
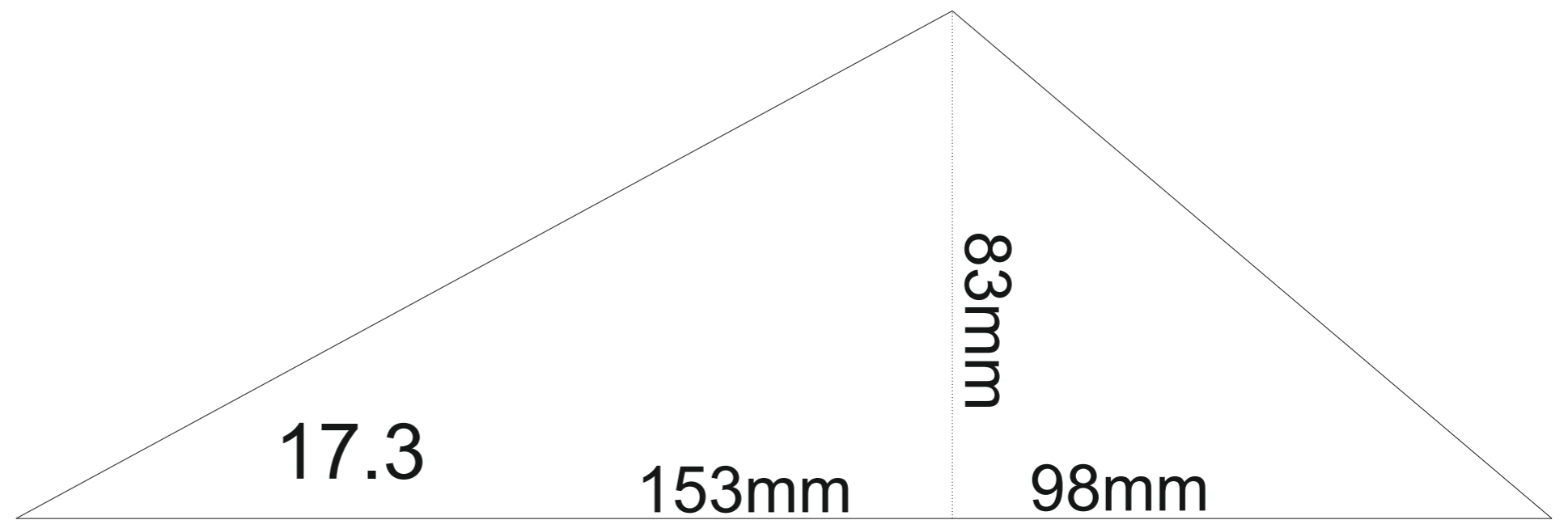
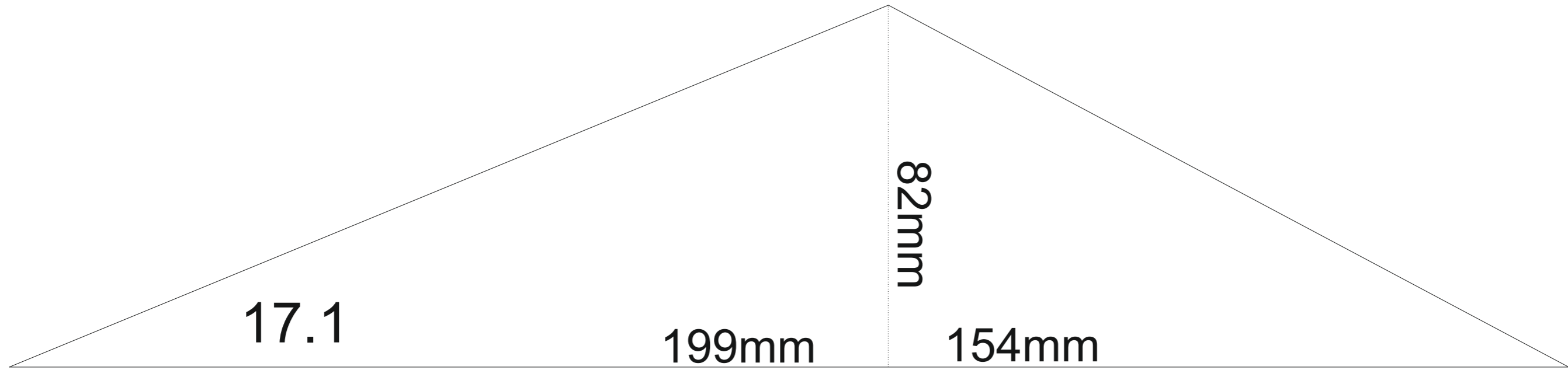
pattern in scale 1:1



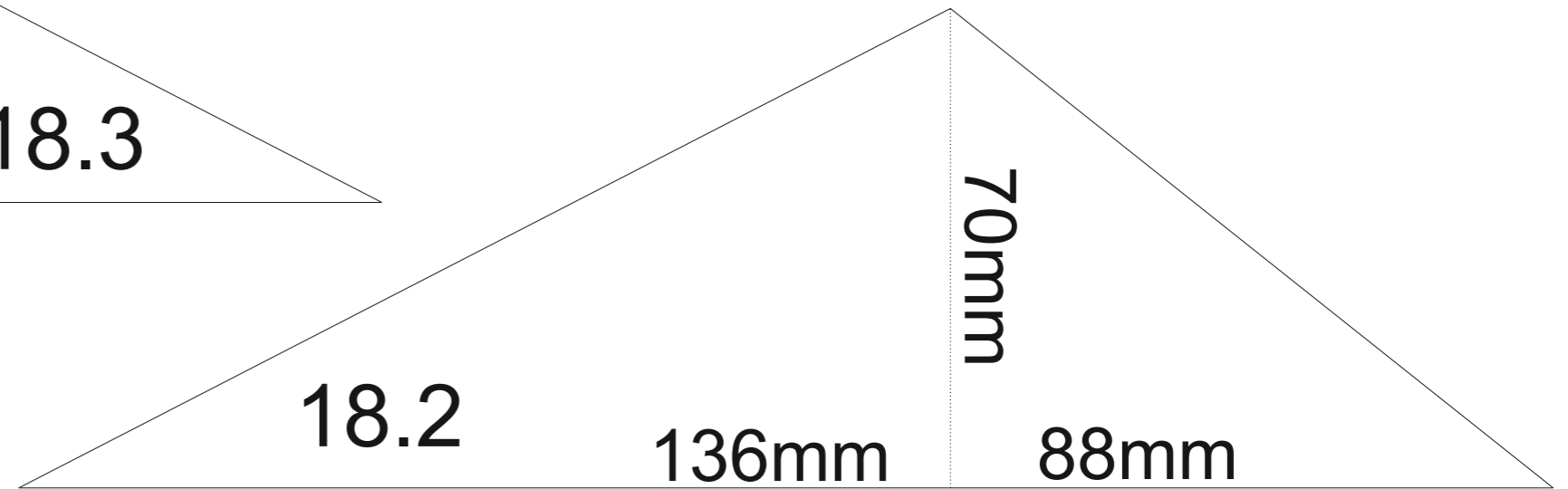
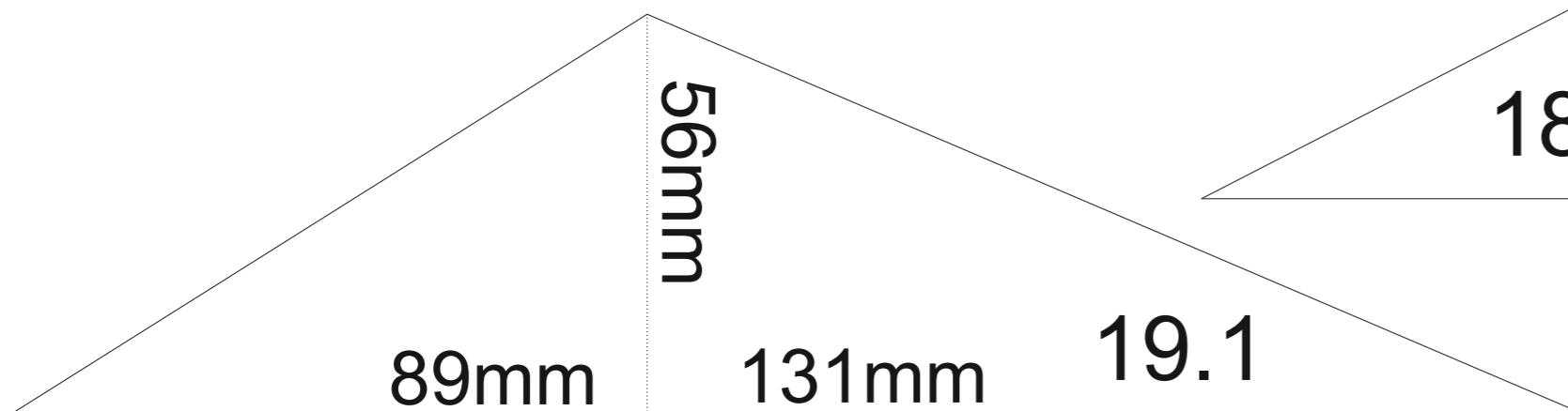
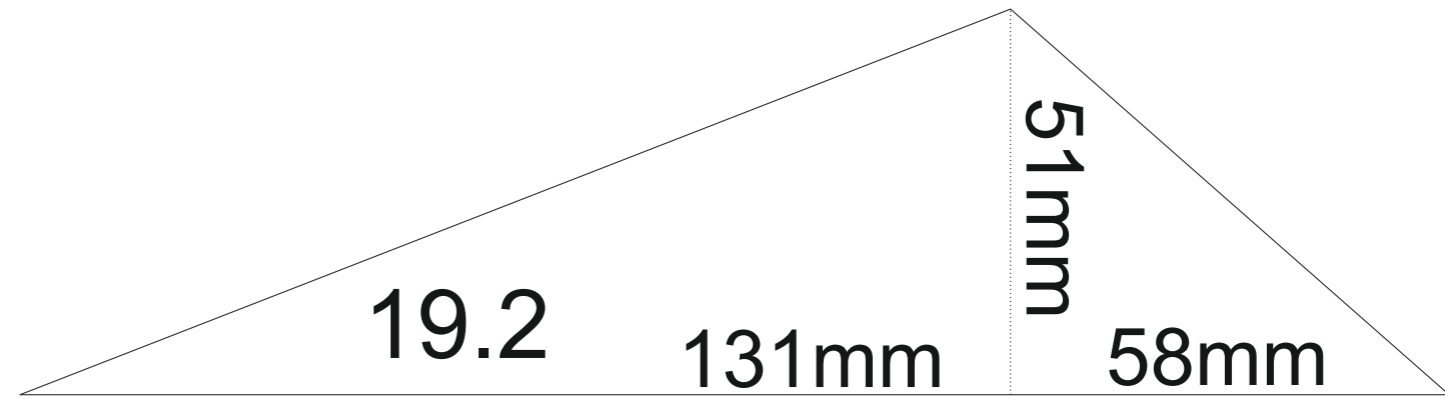
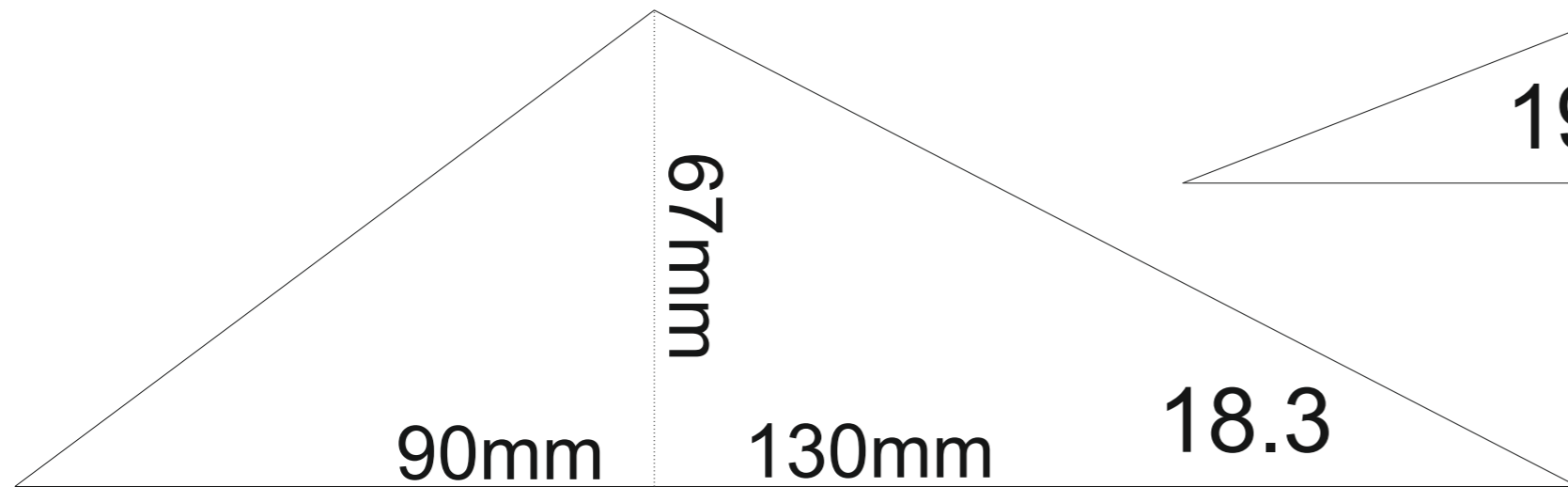
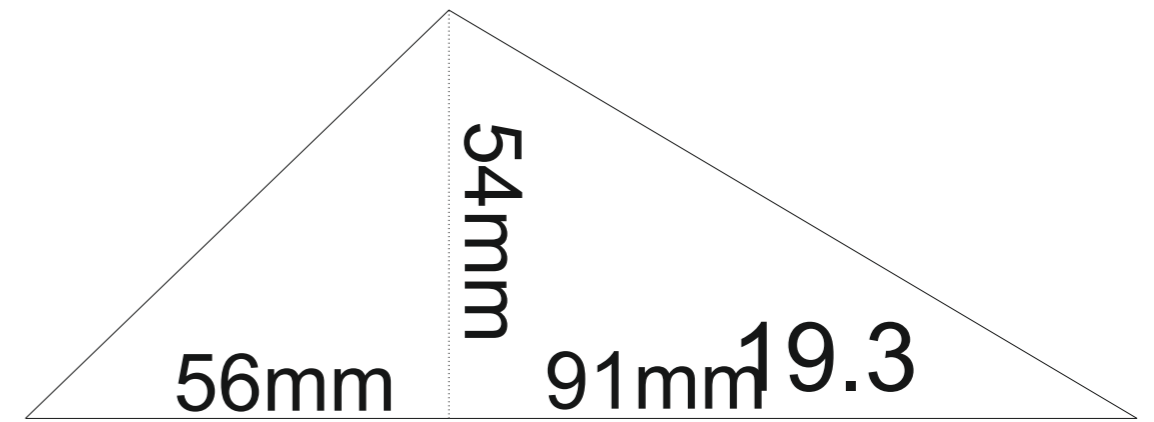
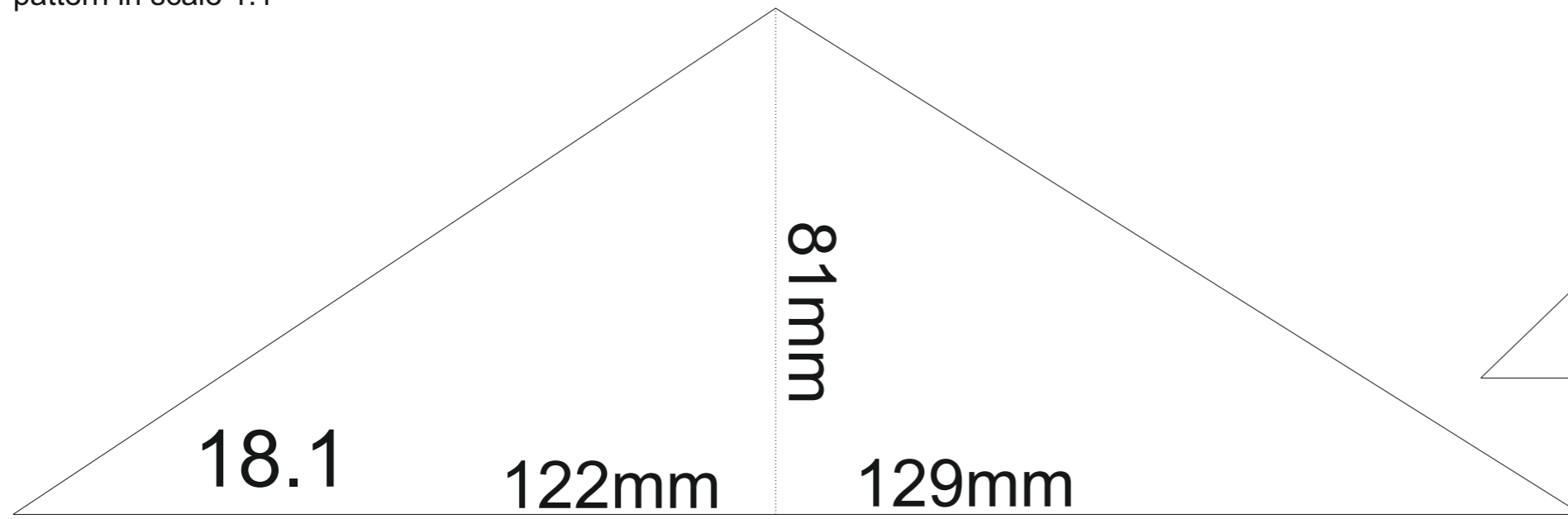
pattern in scale 1:1



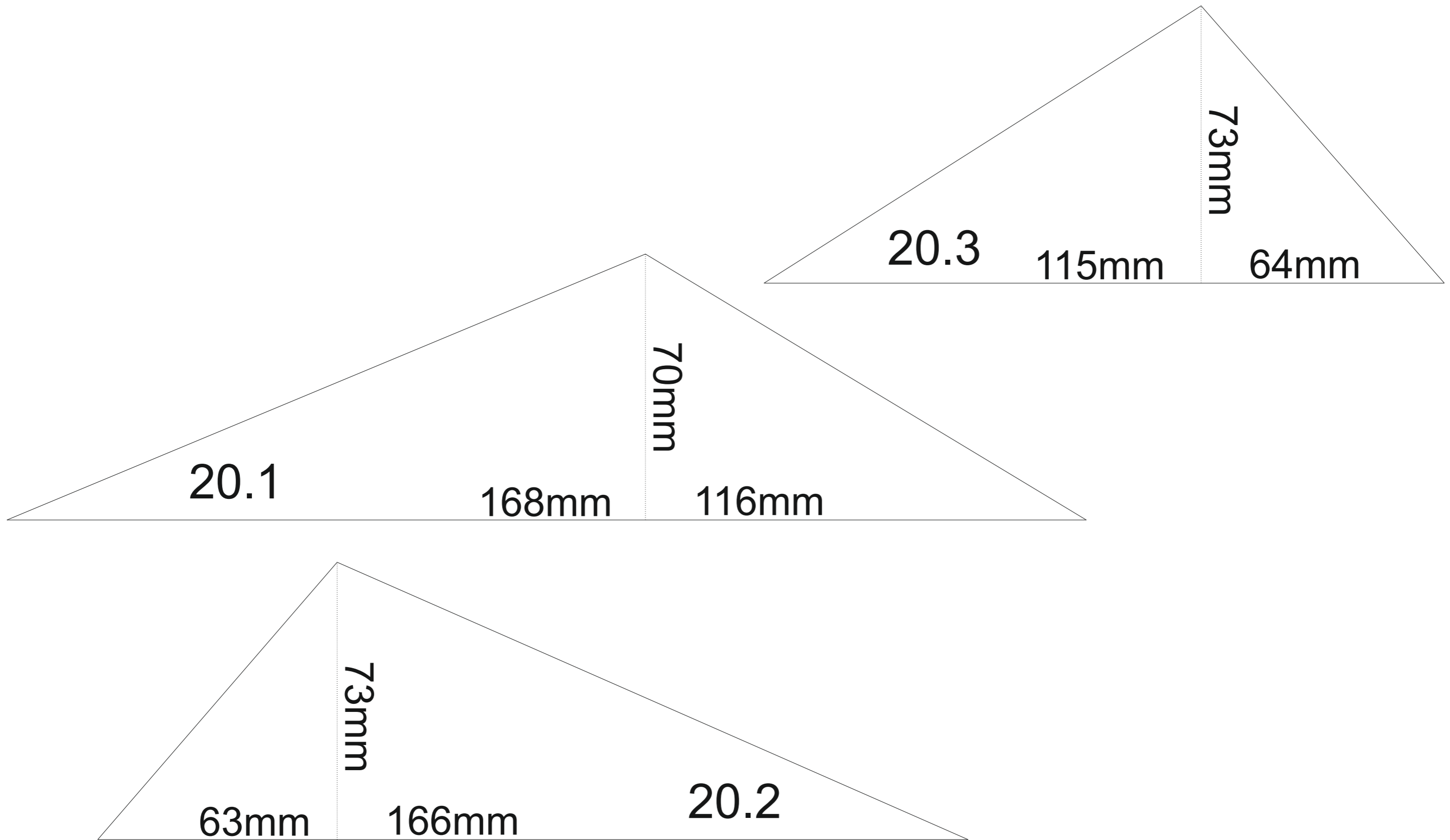
pattern in scale 1:1



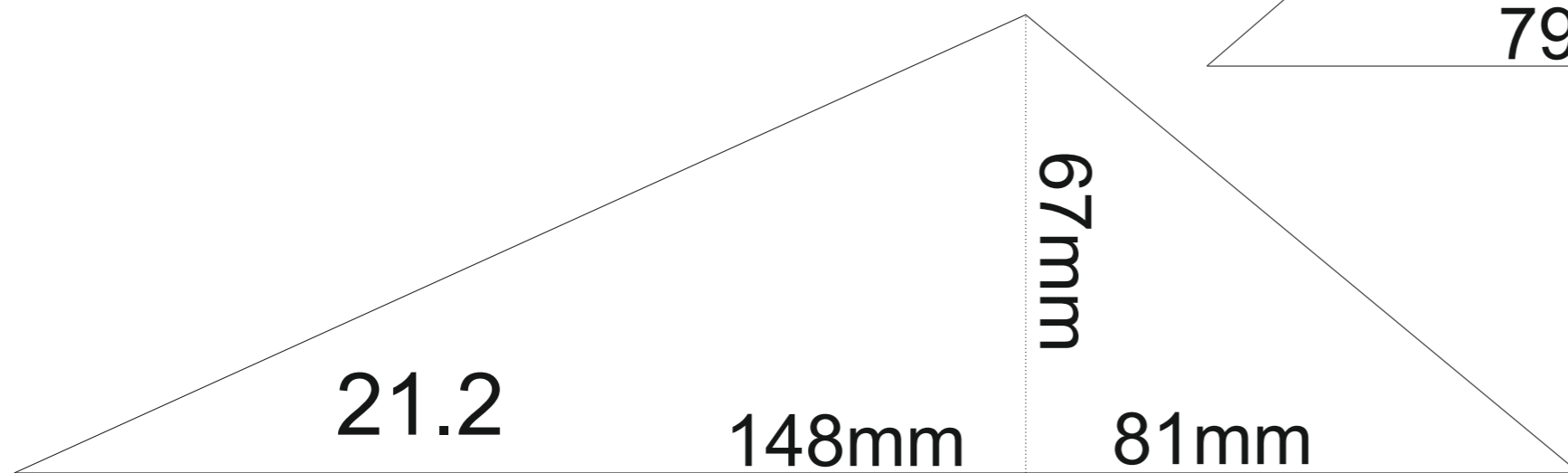
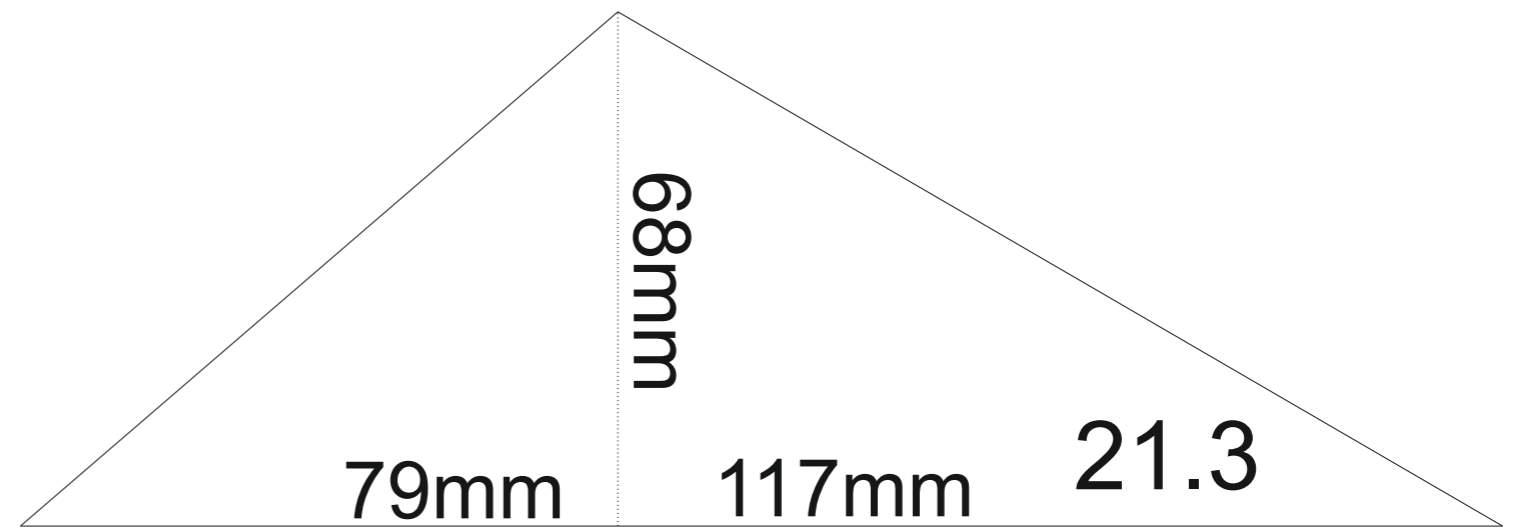
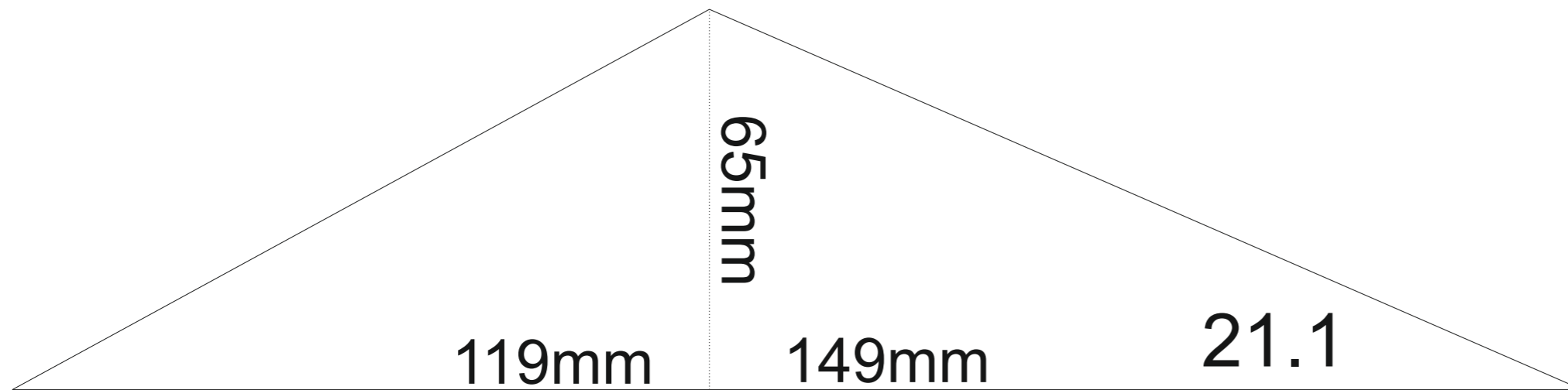
pattern in scale 1:1



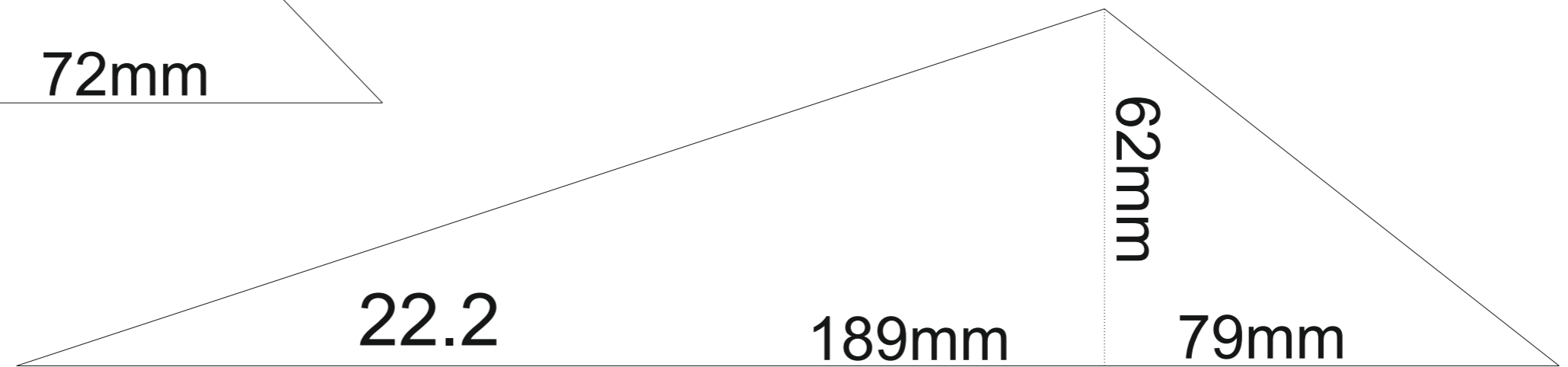
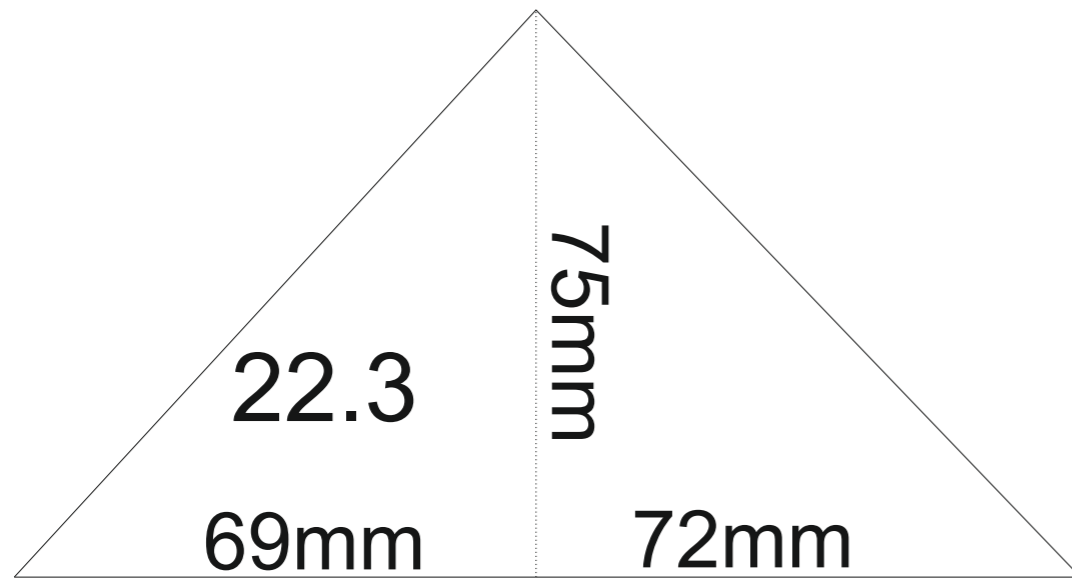
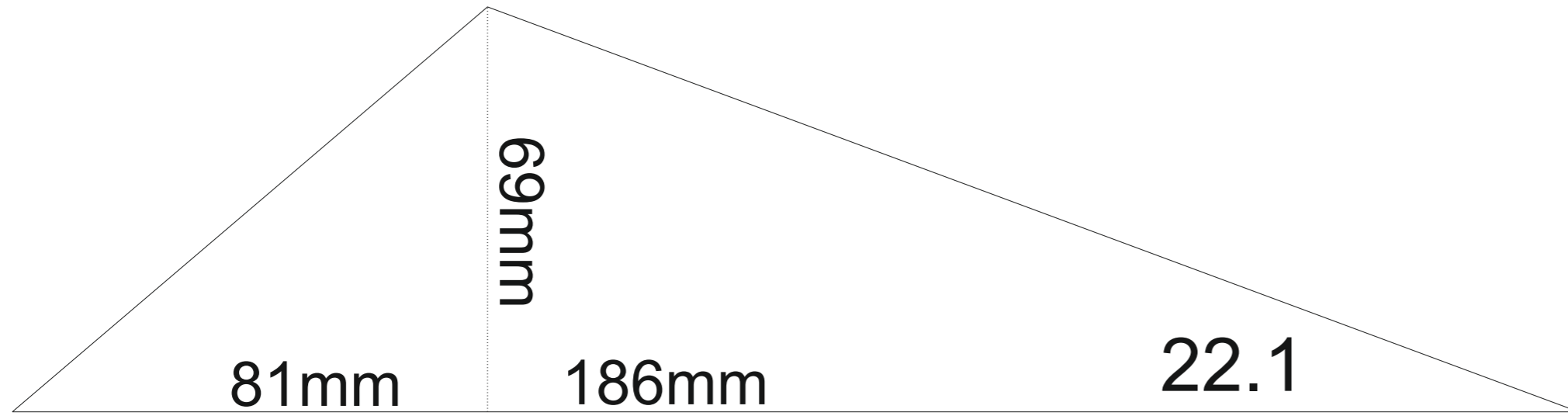
pattern in scale 1:1



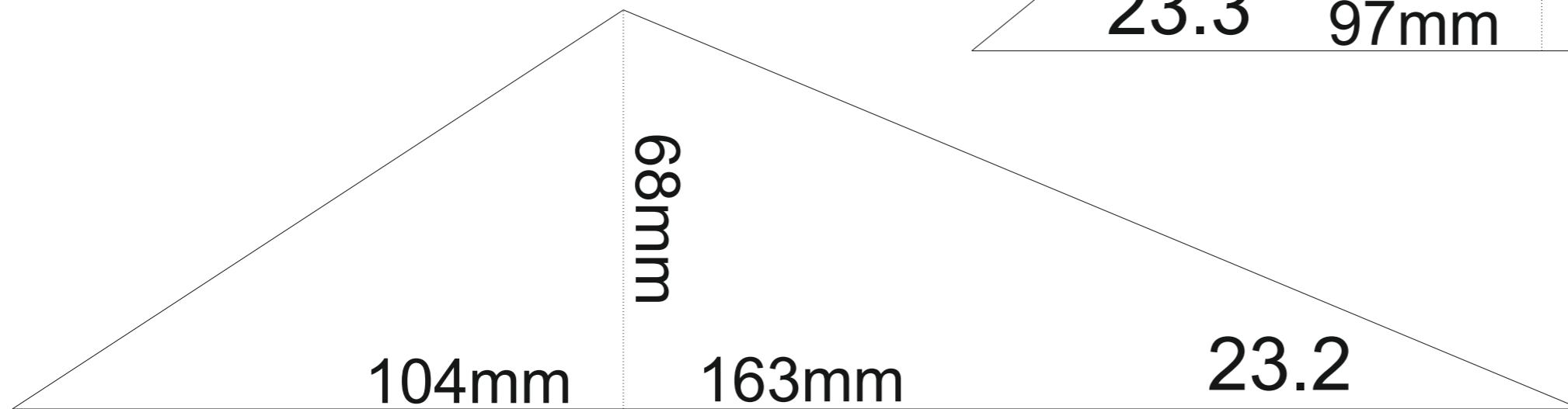
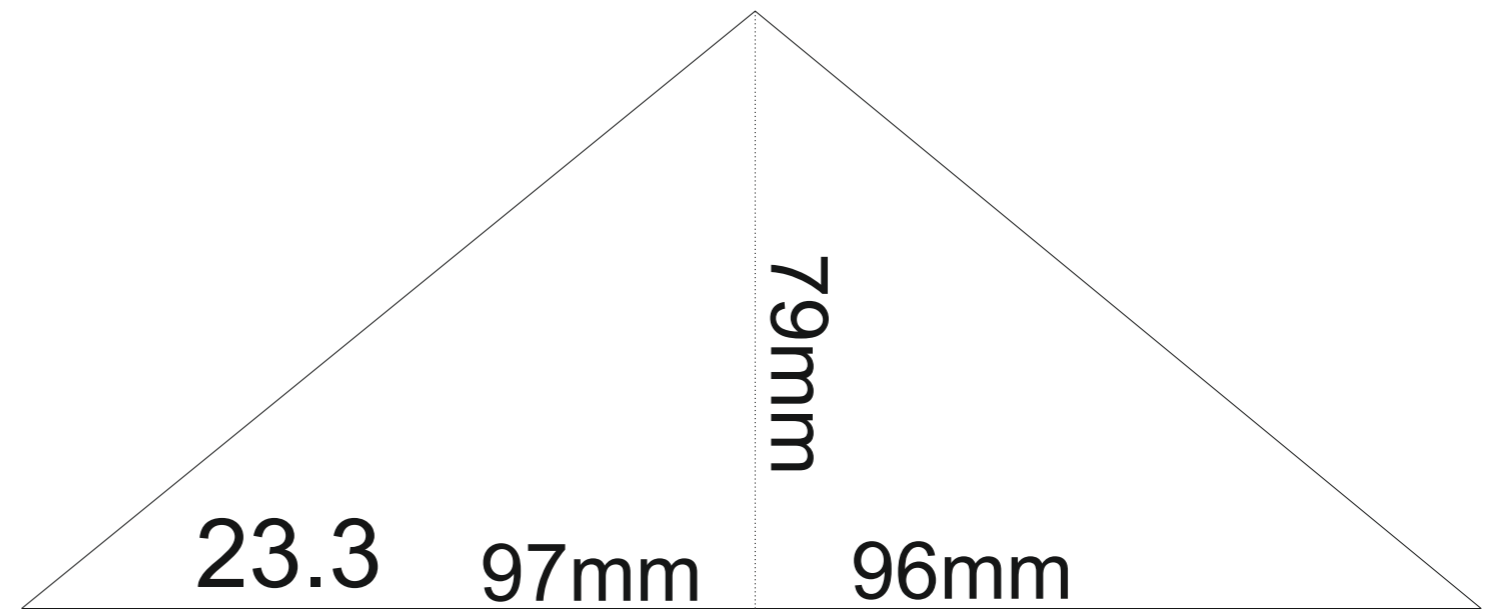
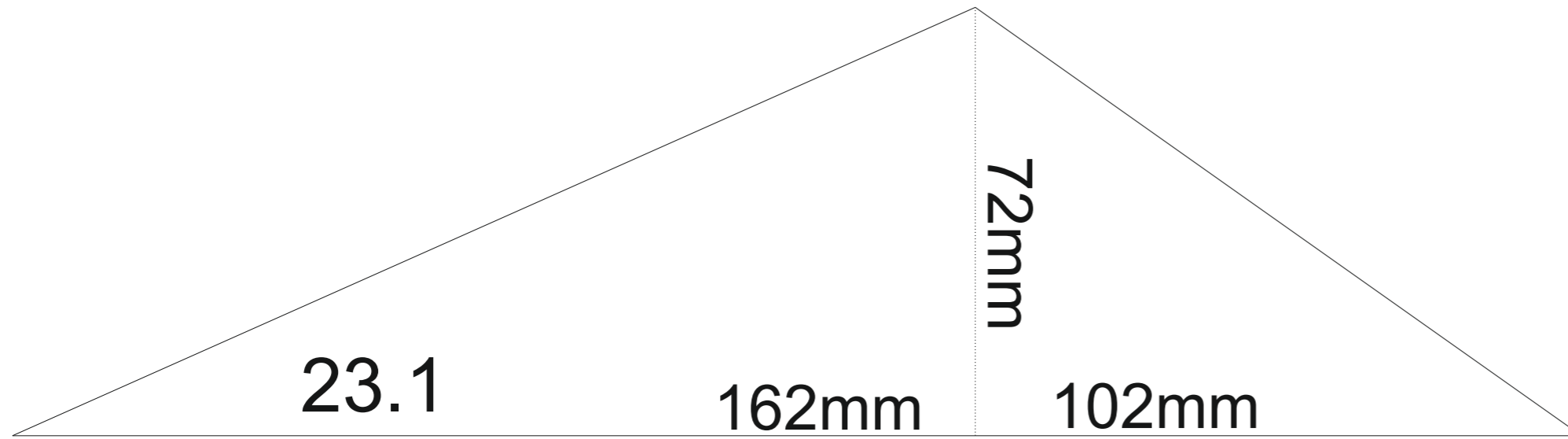
pattern in scale 1:1



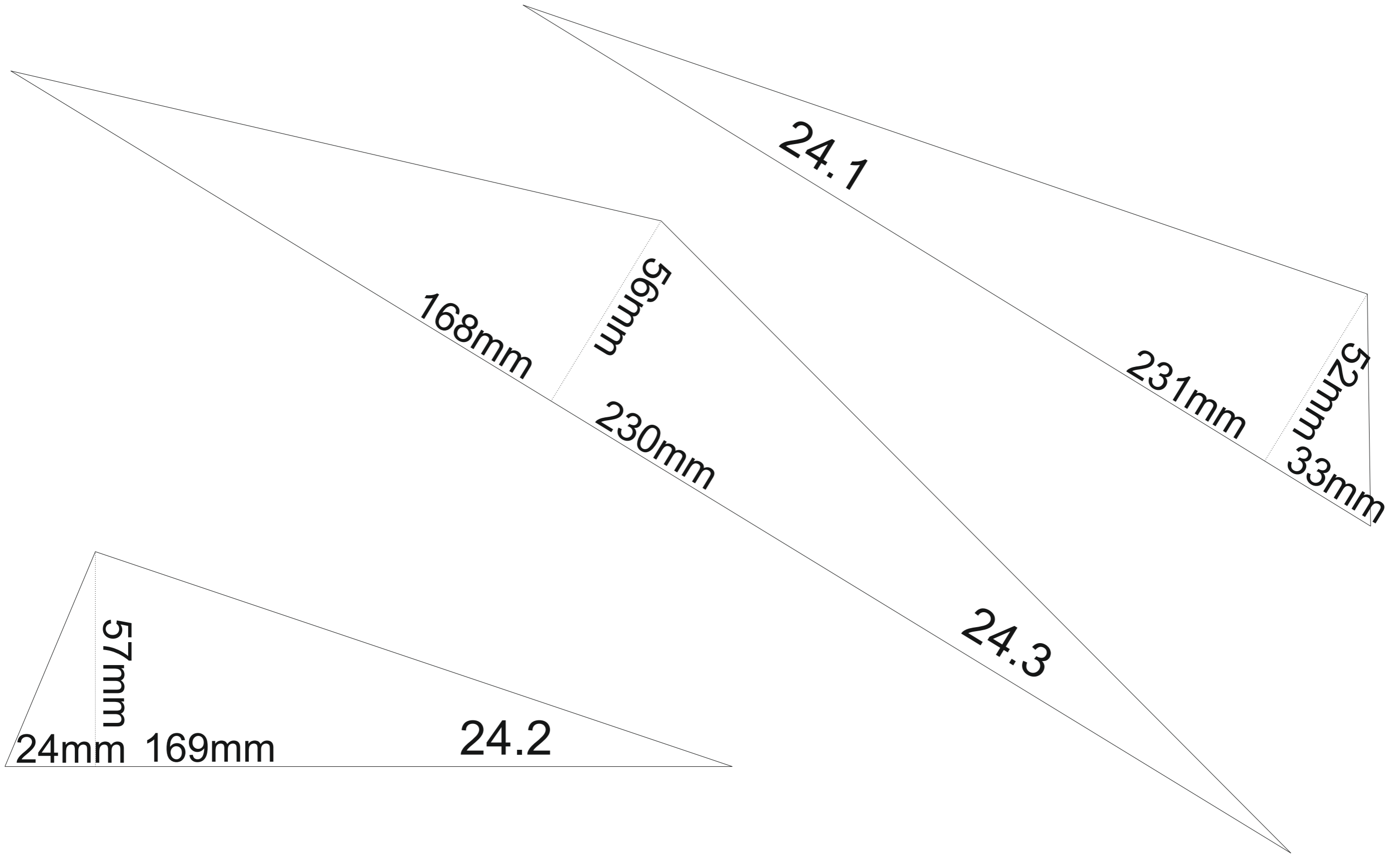
pattern in scale 1:1



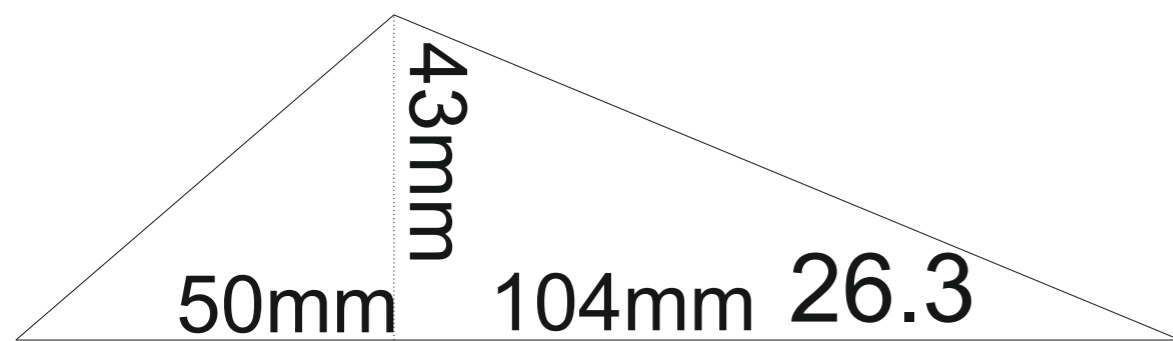
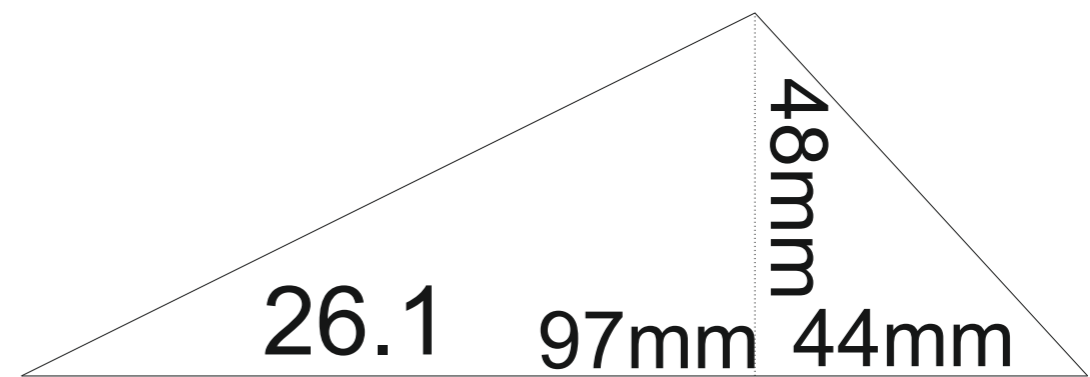
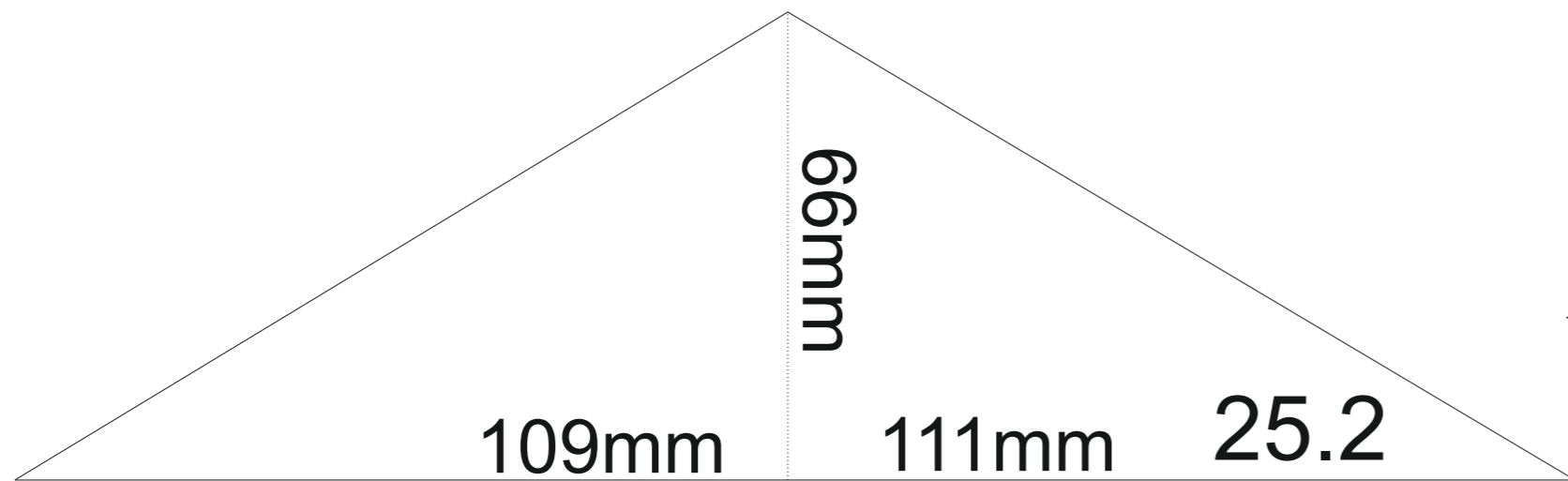
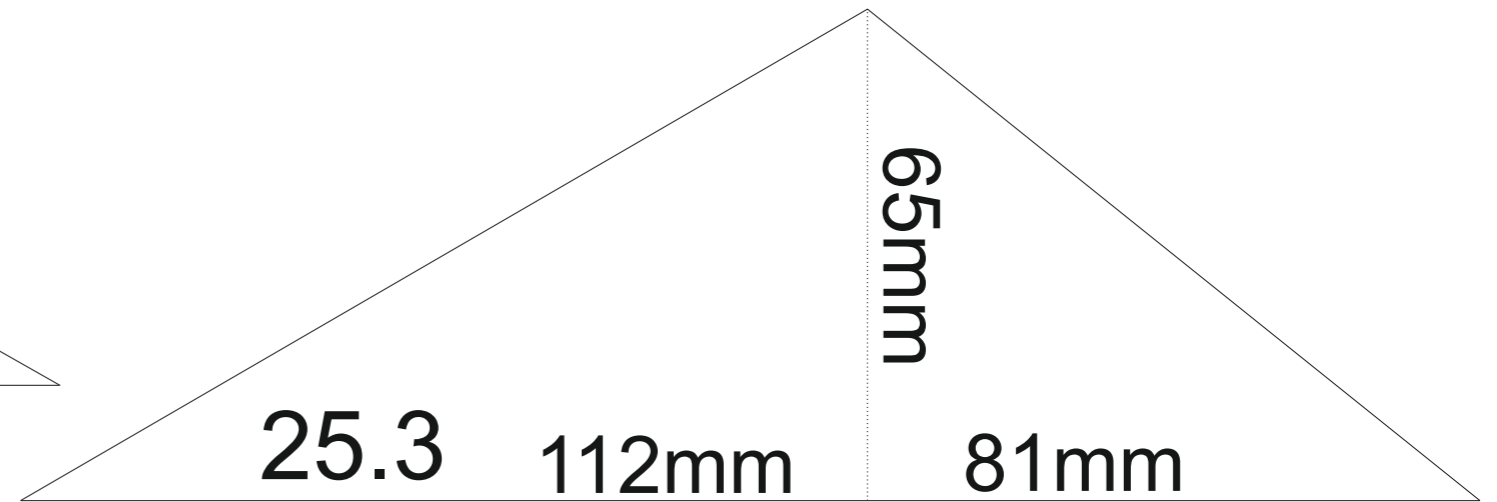
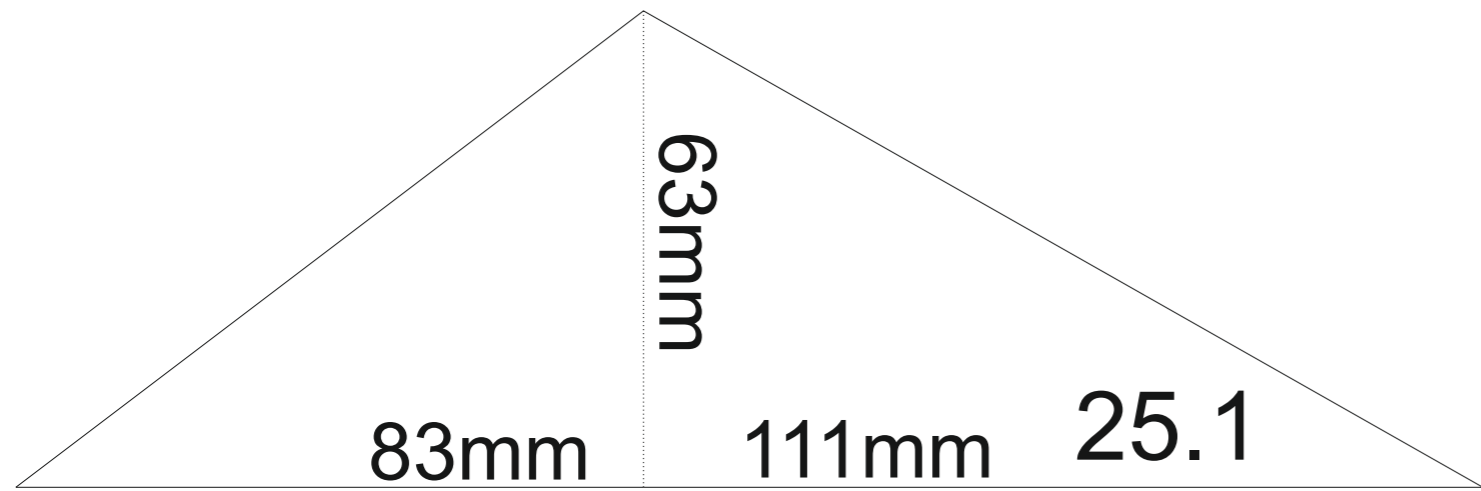
pattern in scale 1:1



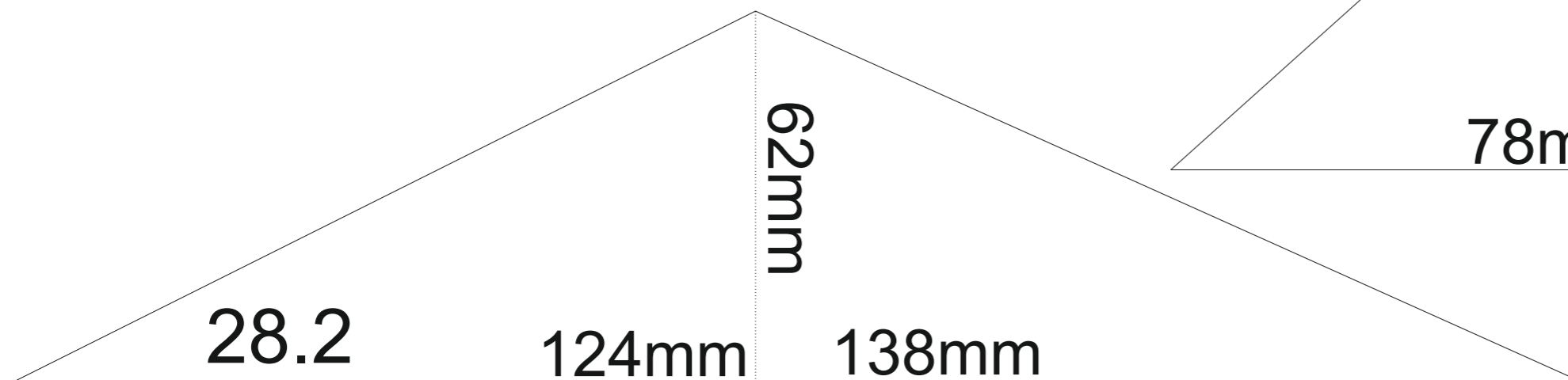
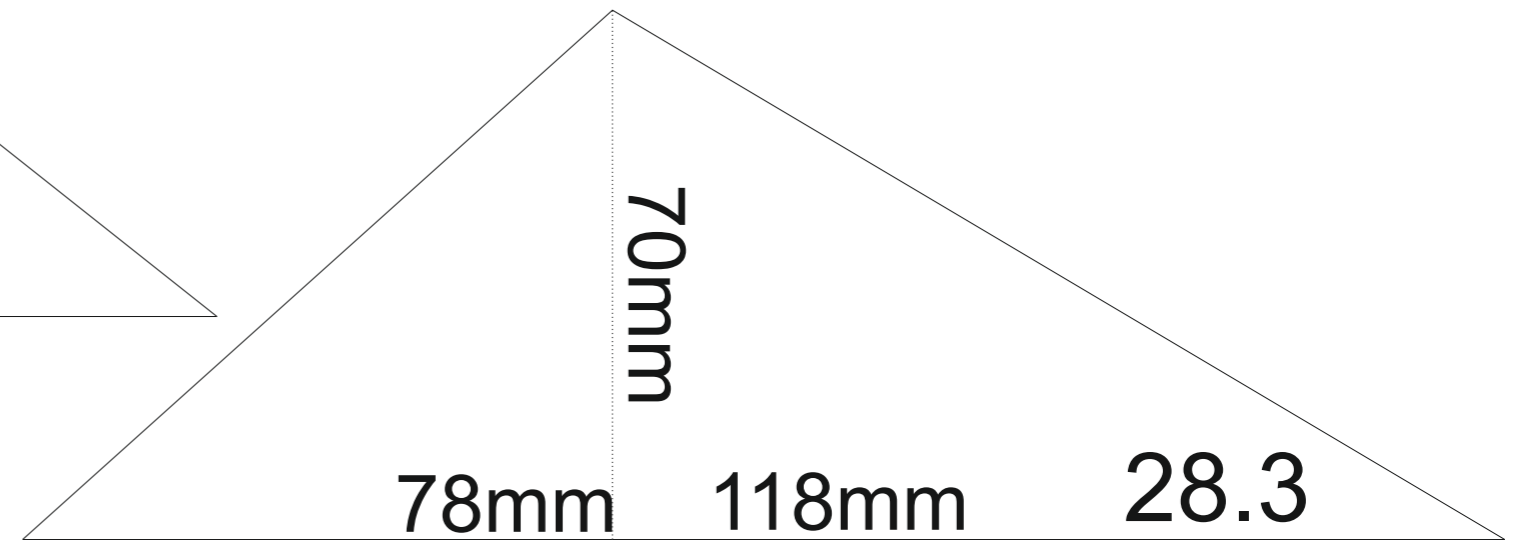
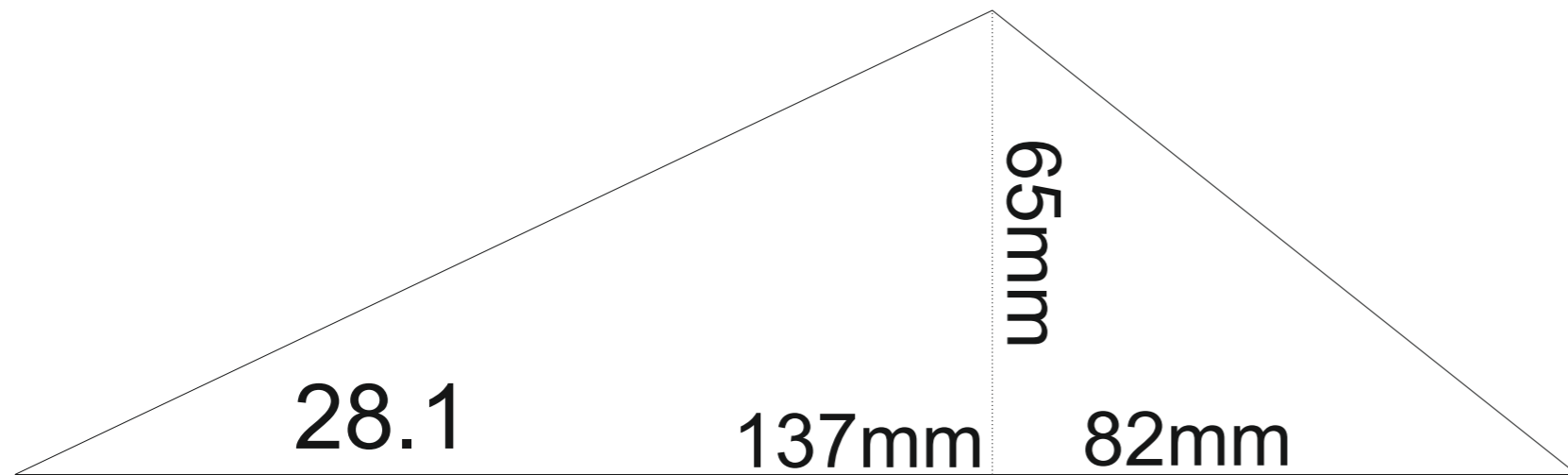
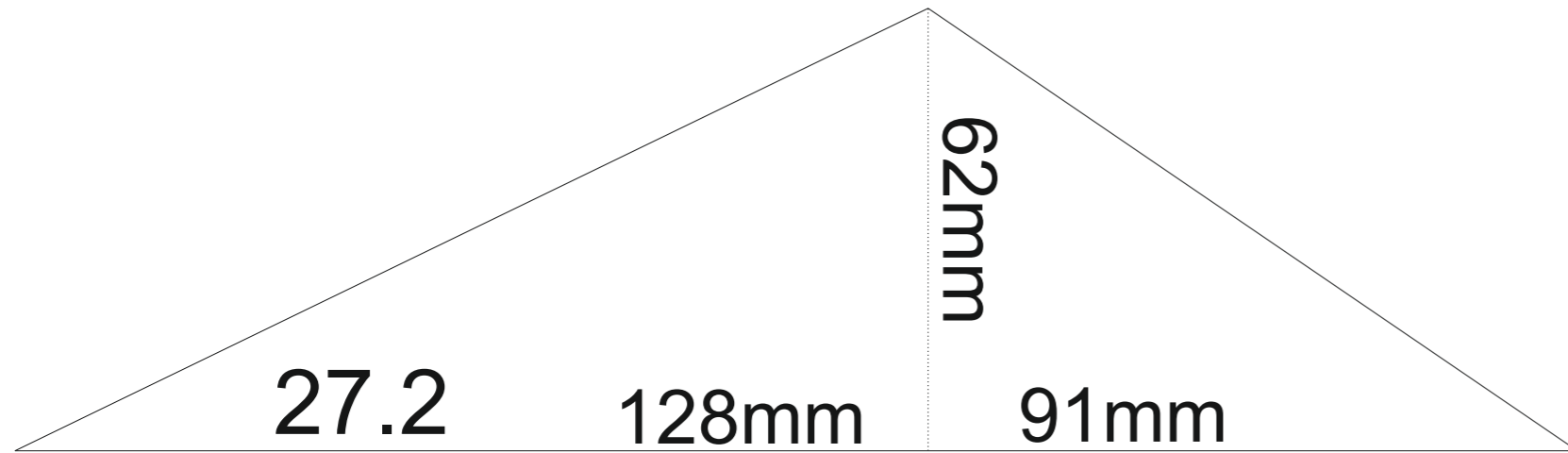
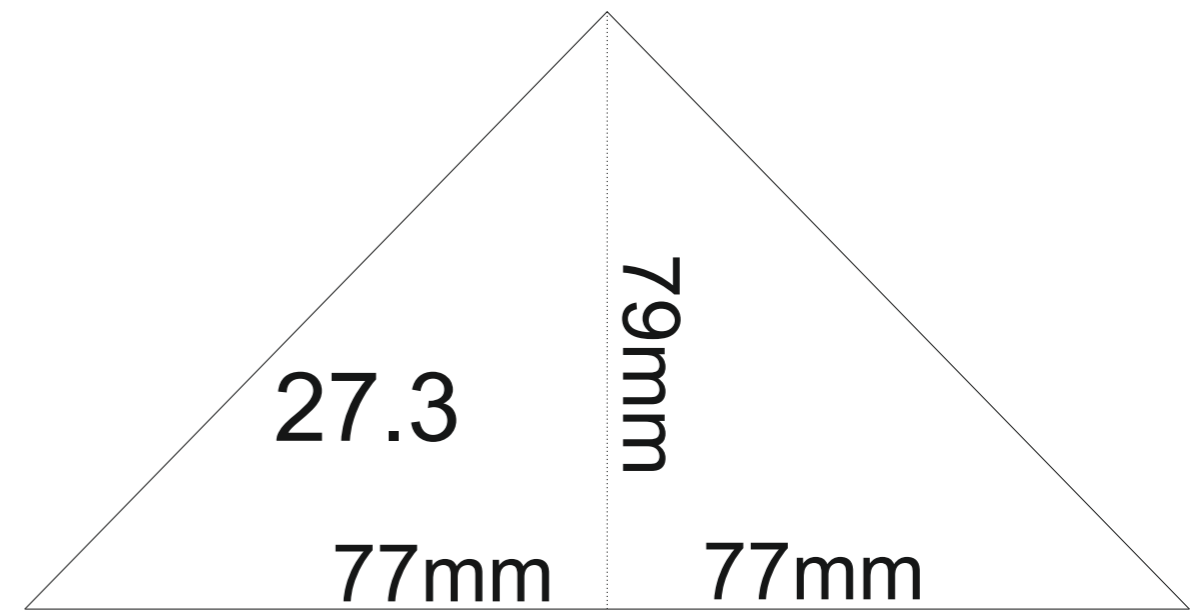
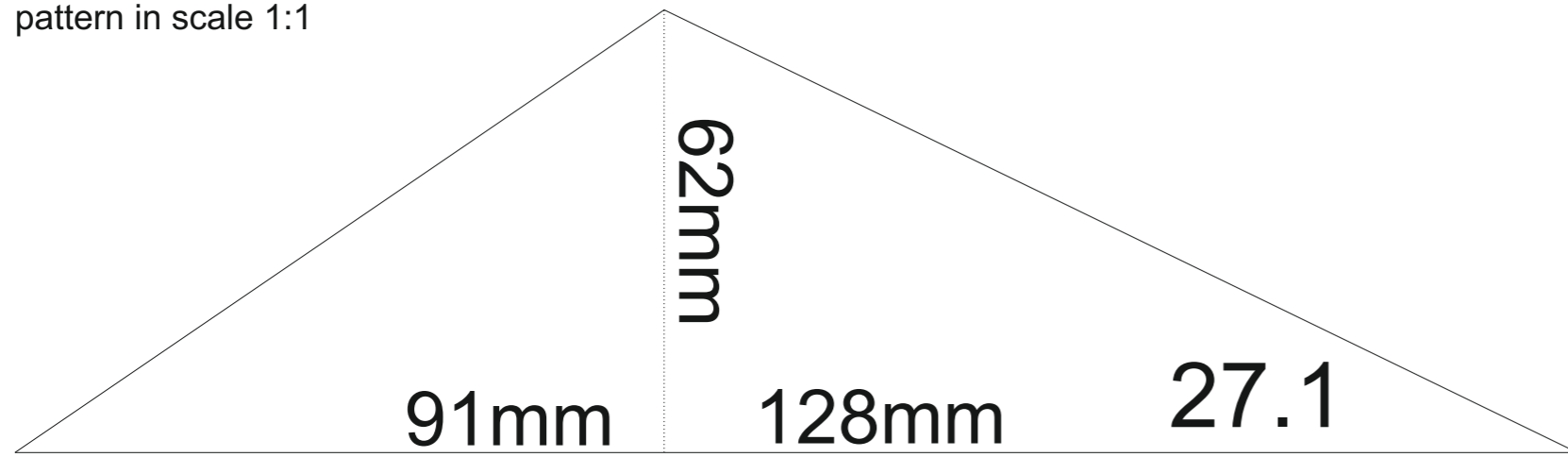
pattern in scale 1:1



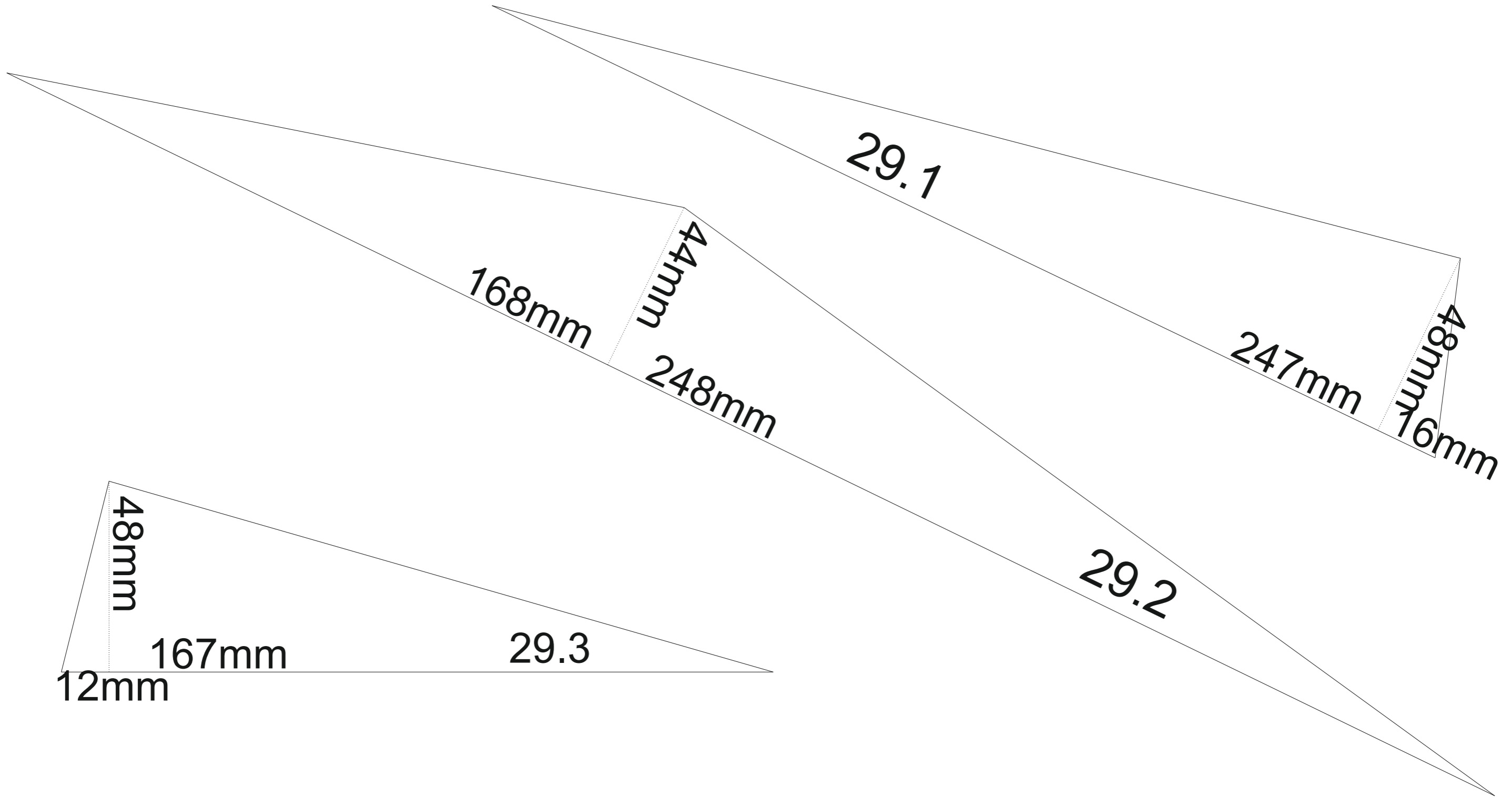
pattern in scale 1:1



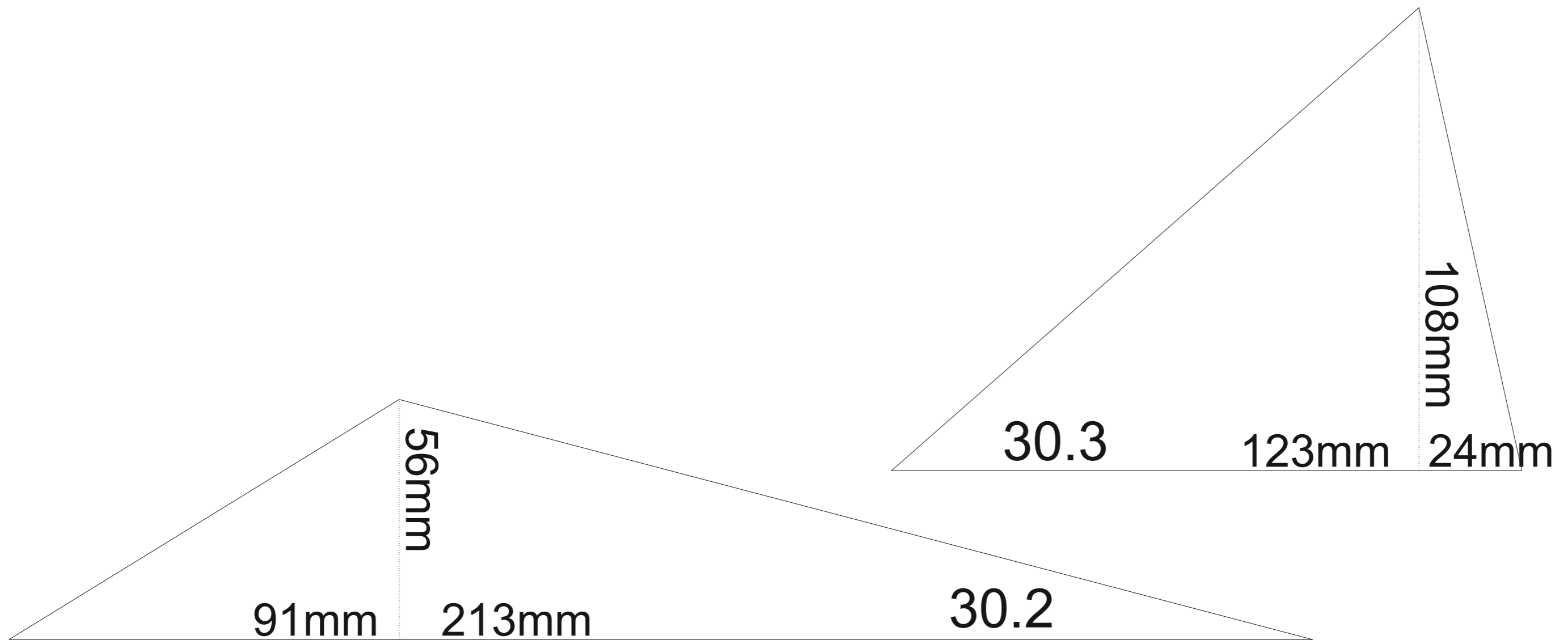
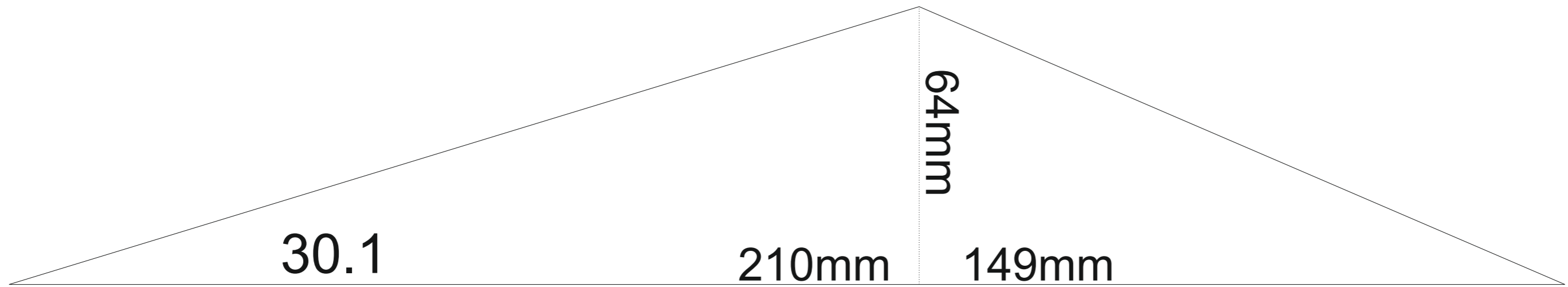
pattern in scale 1:1



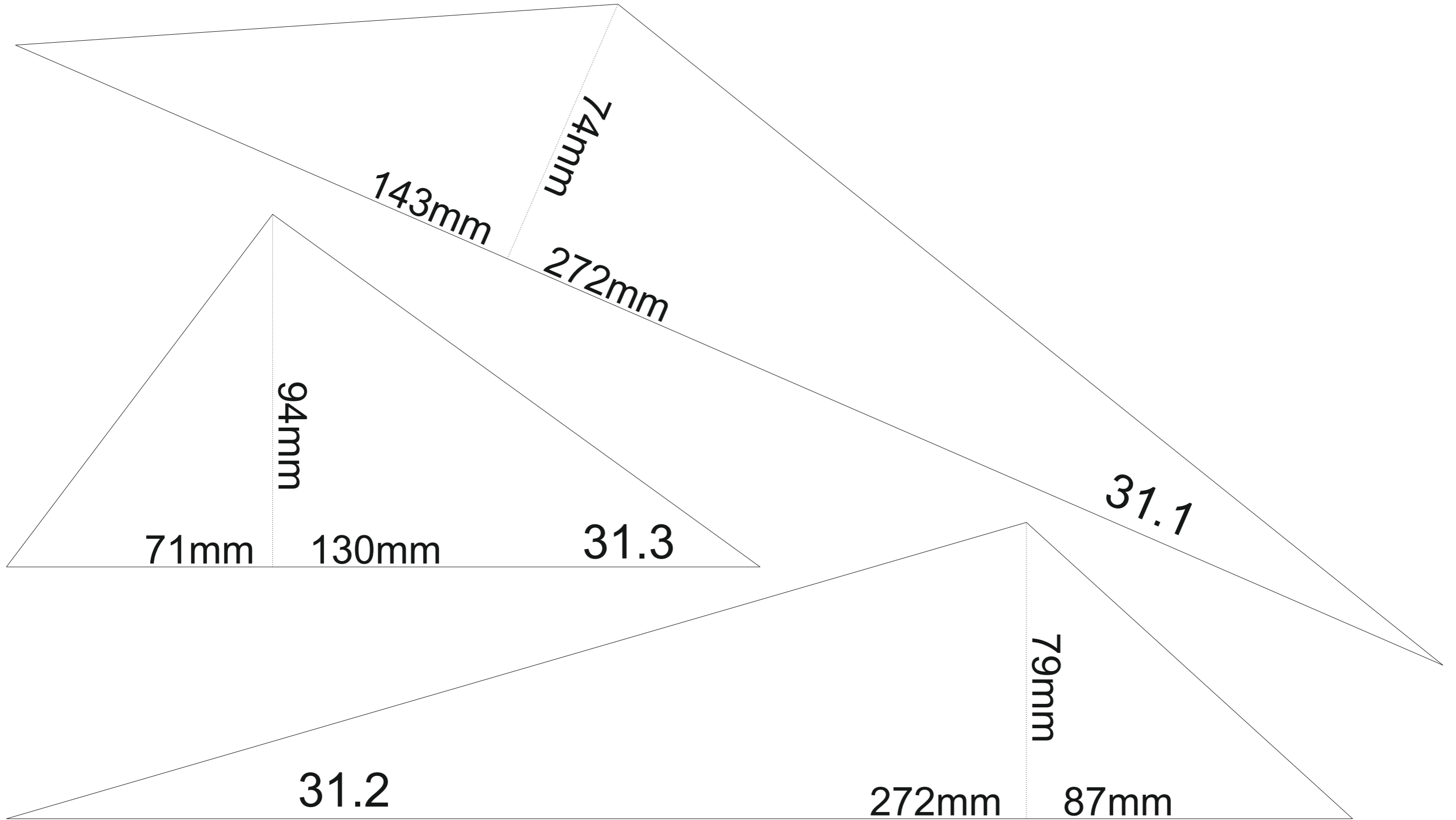
pattern in scale 1:1



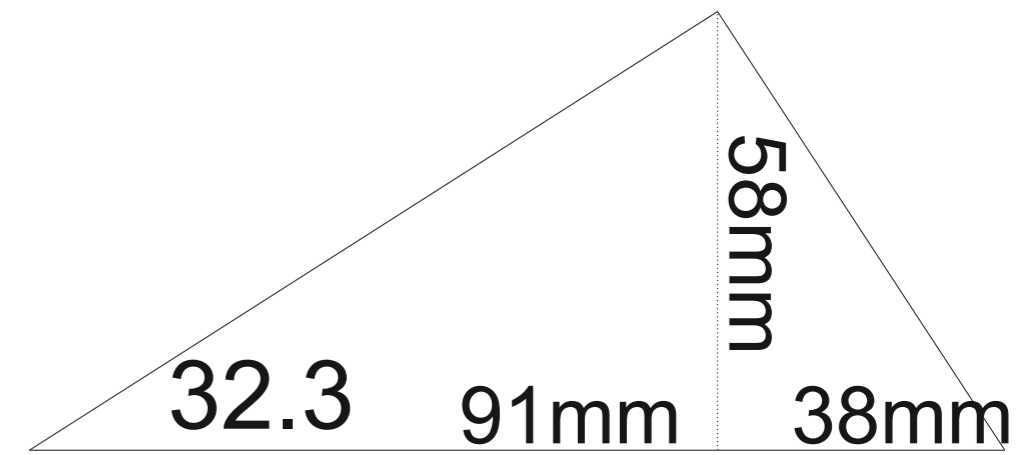
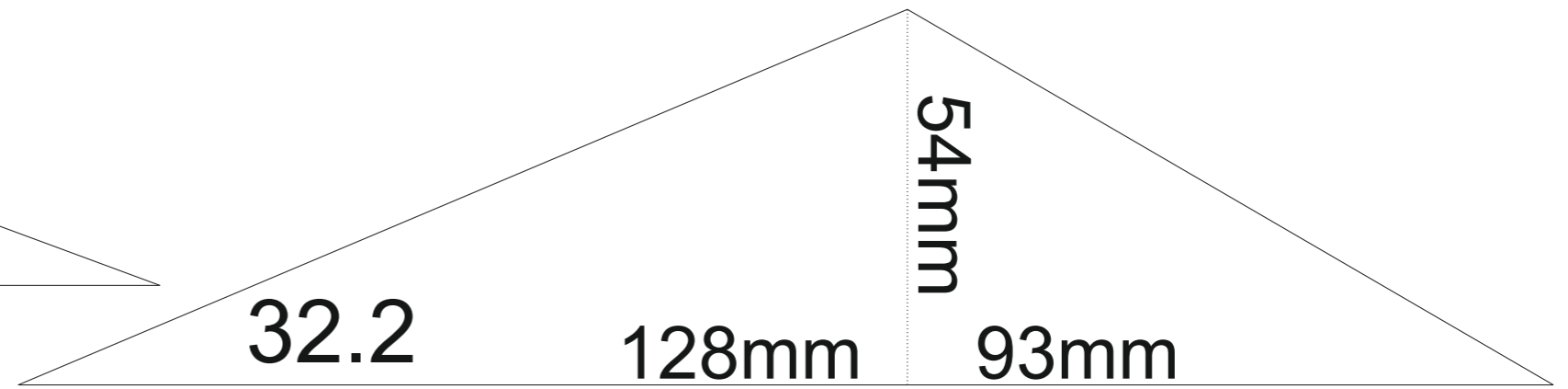
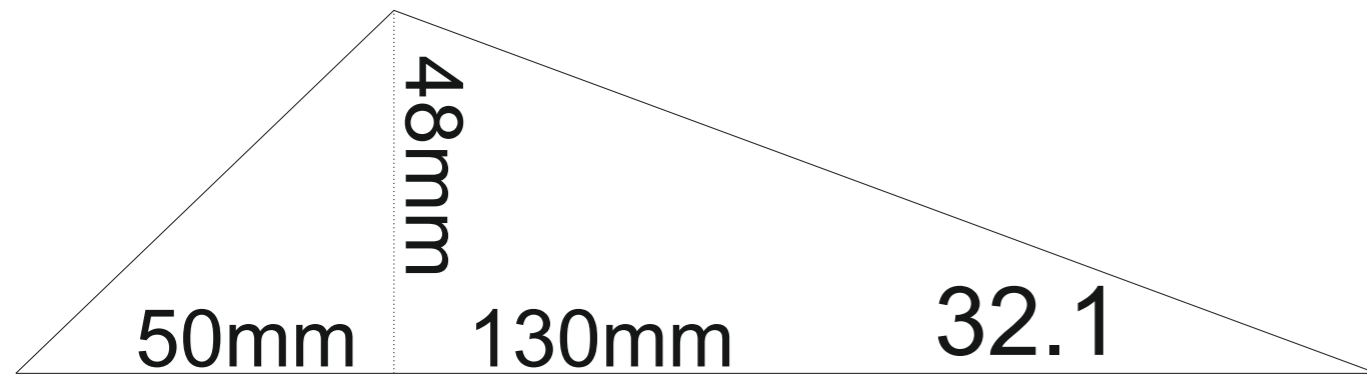
pattern in scale 1:1



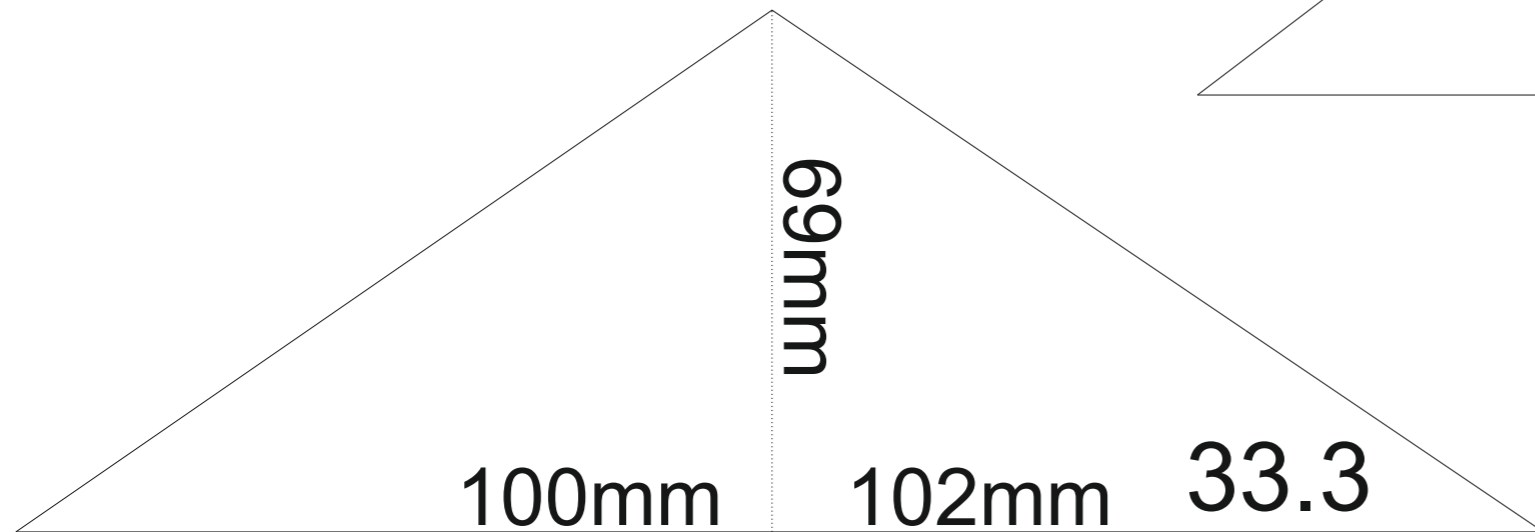
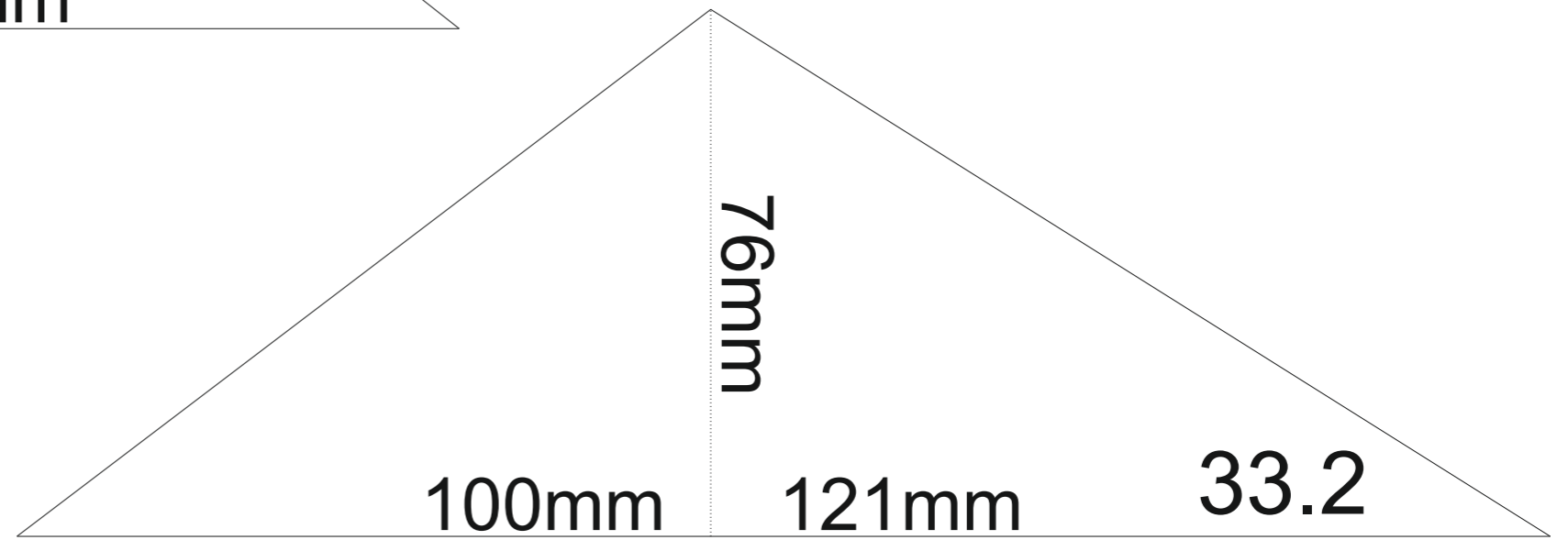
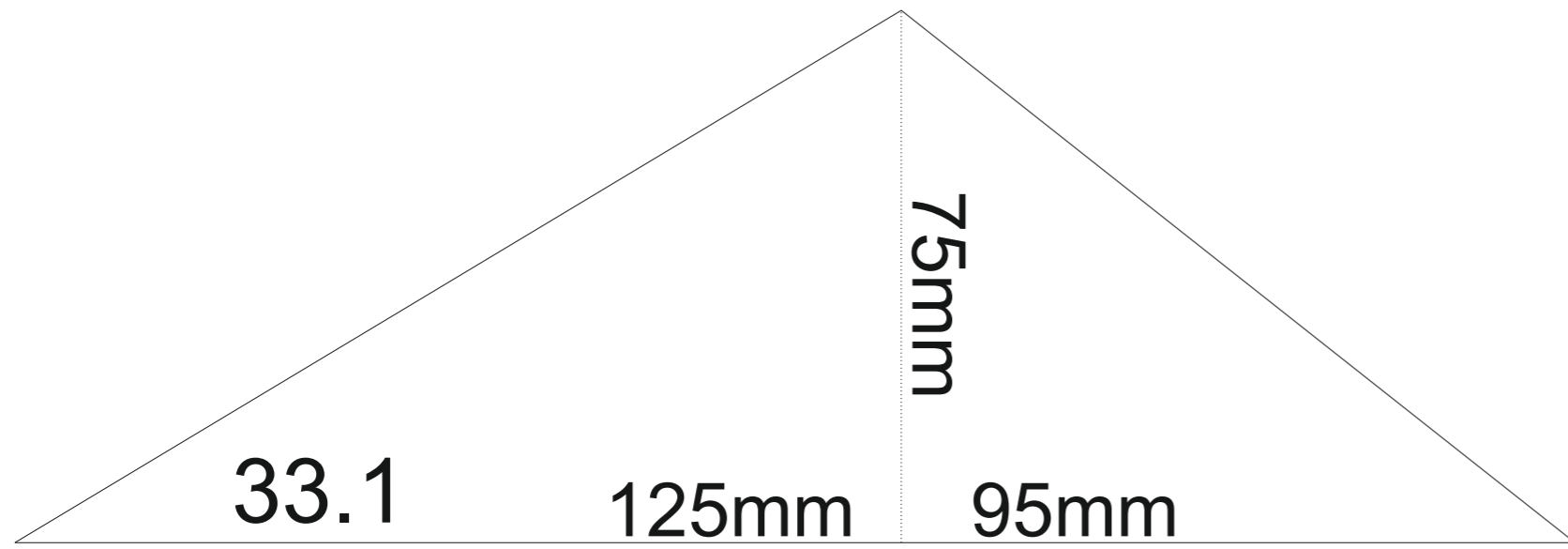
pattern in scale 1:1



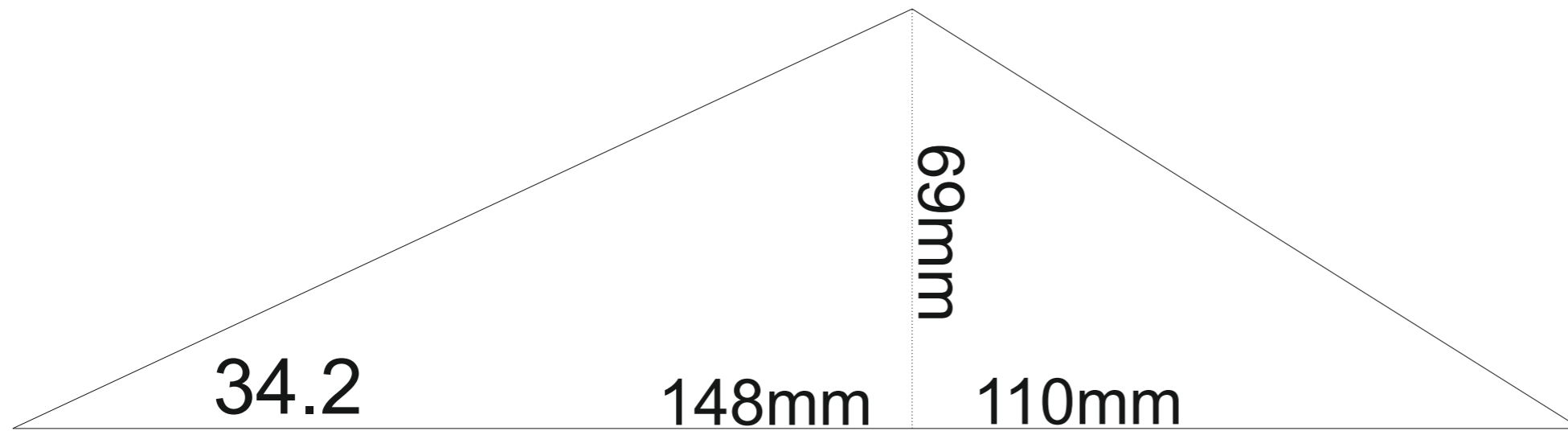
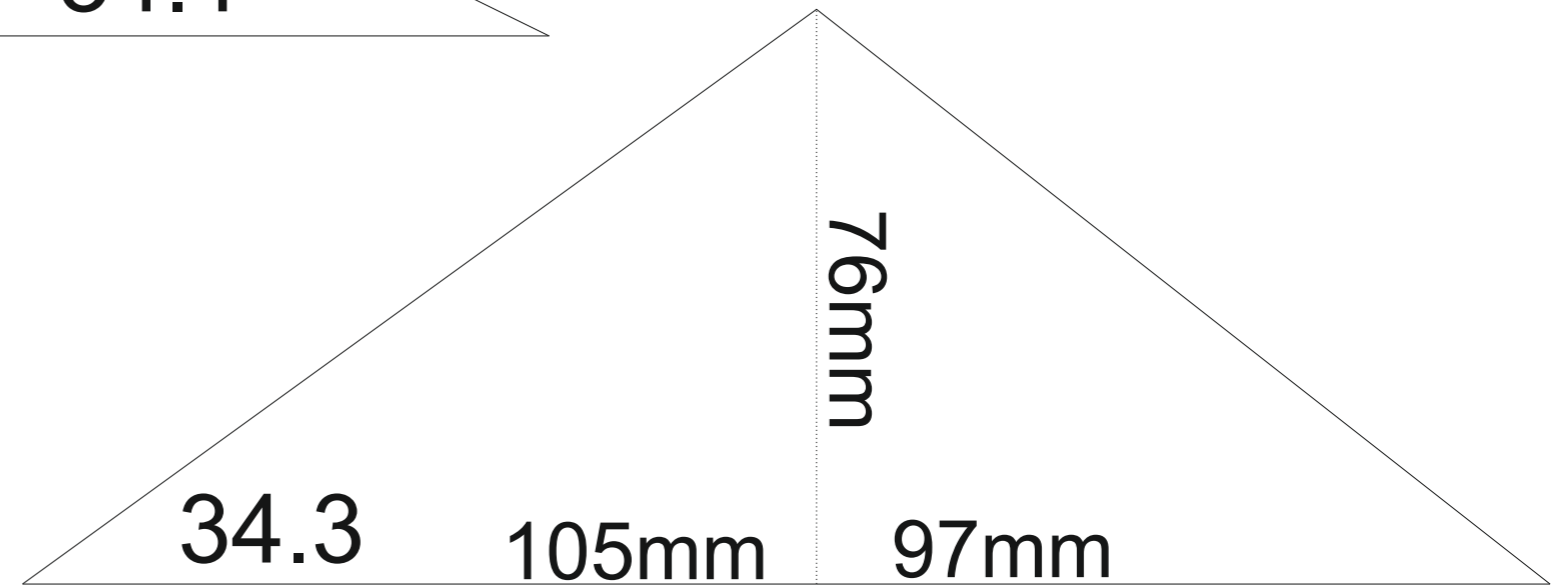
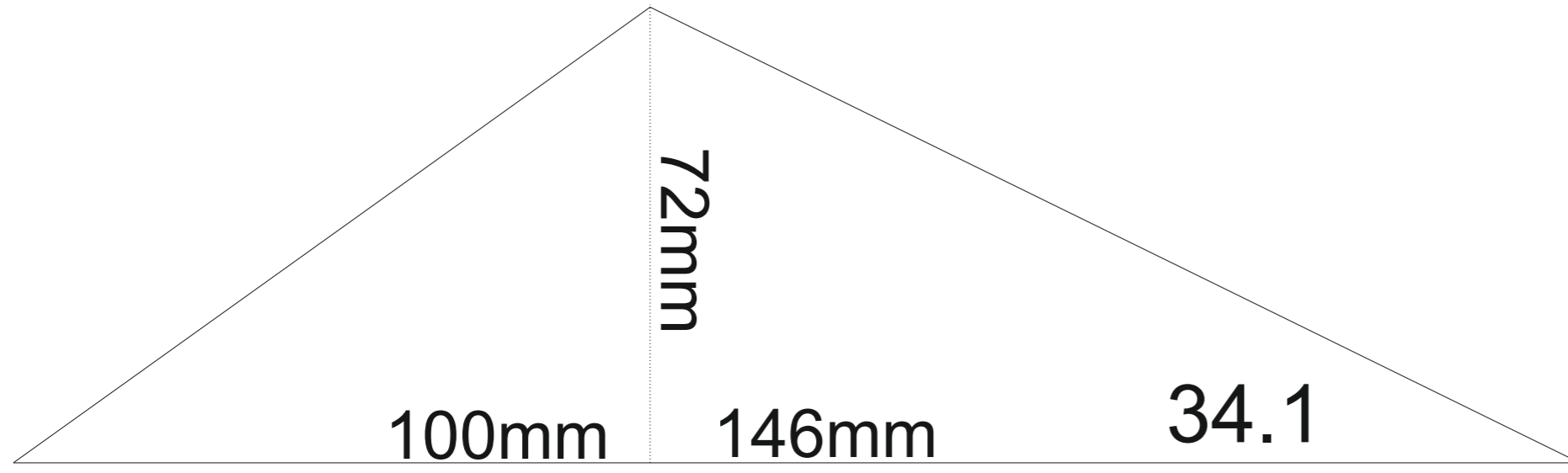
pattern in scale 1:1



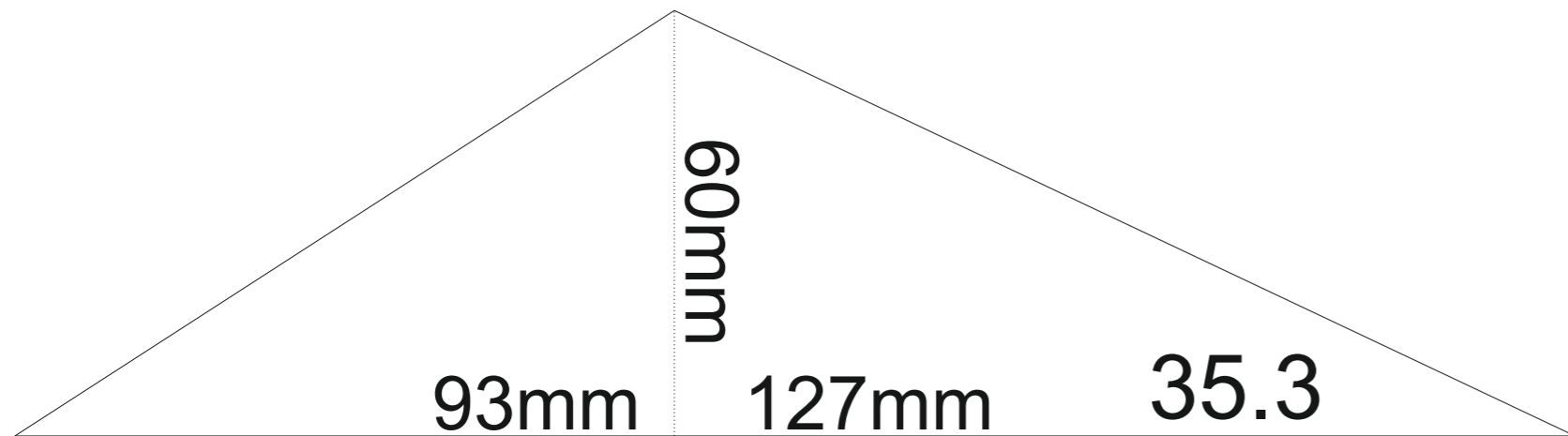
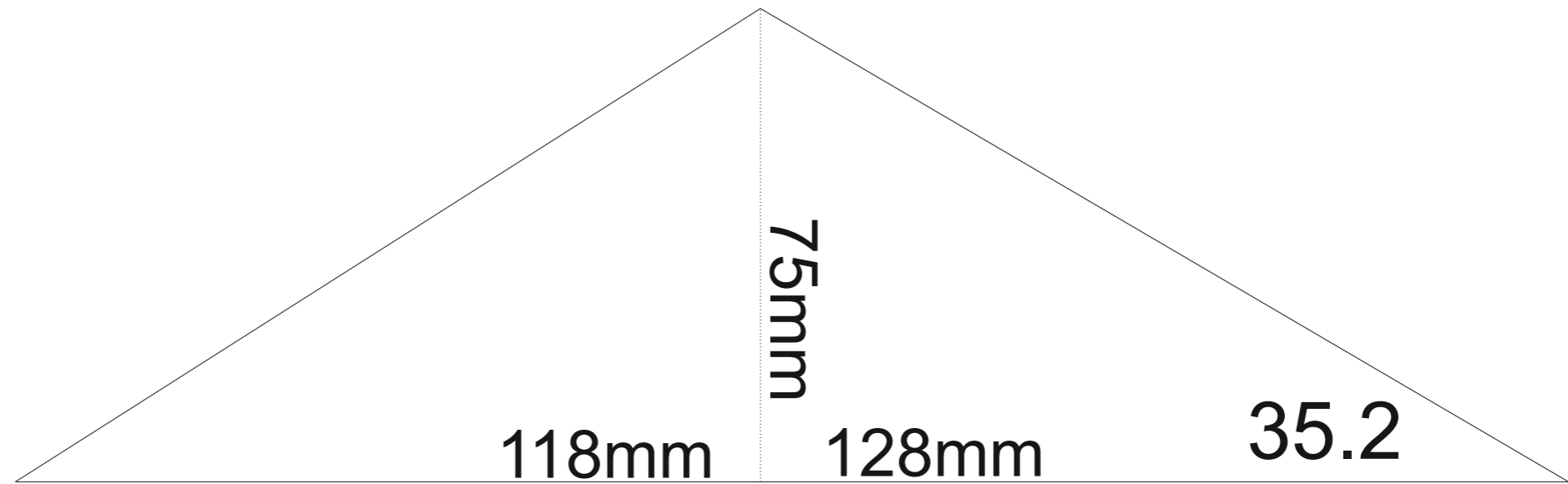
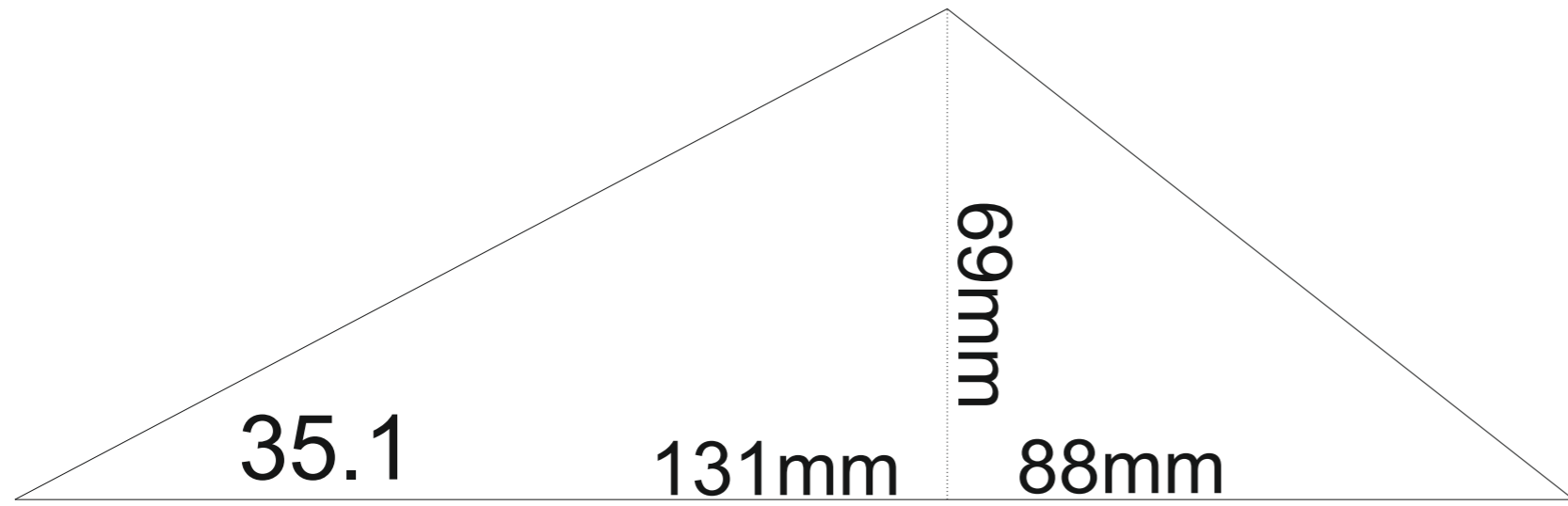
pattern in scale 1:1



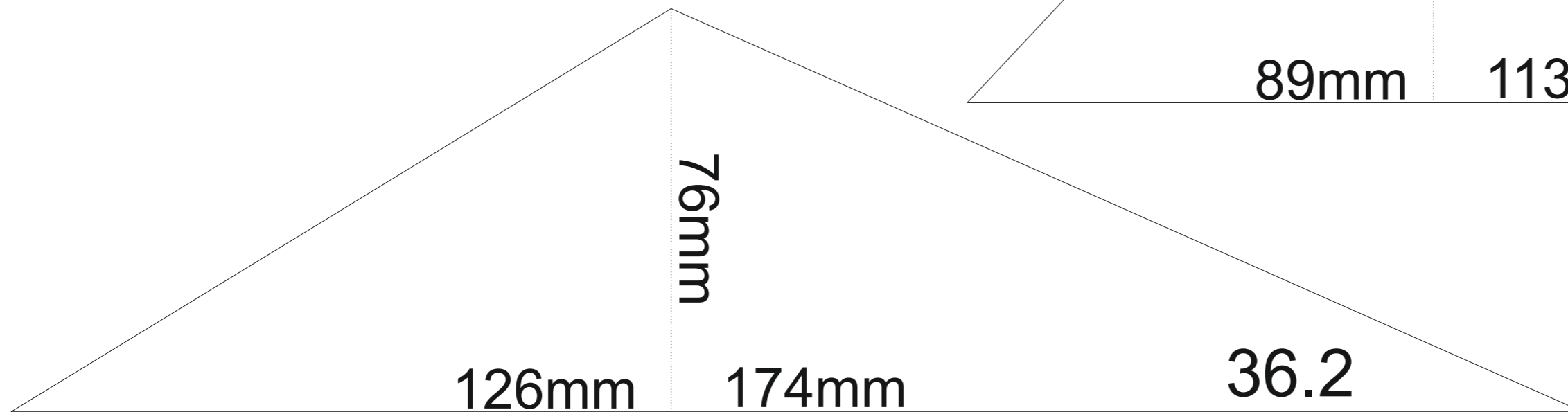
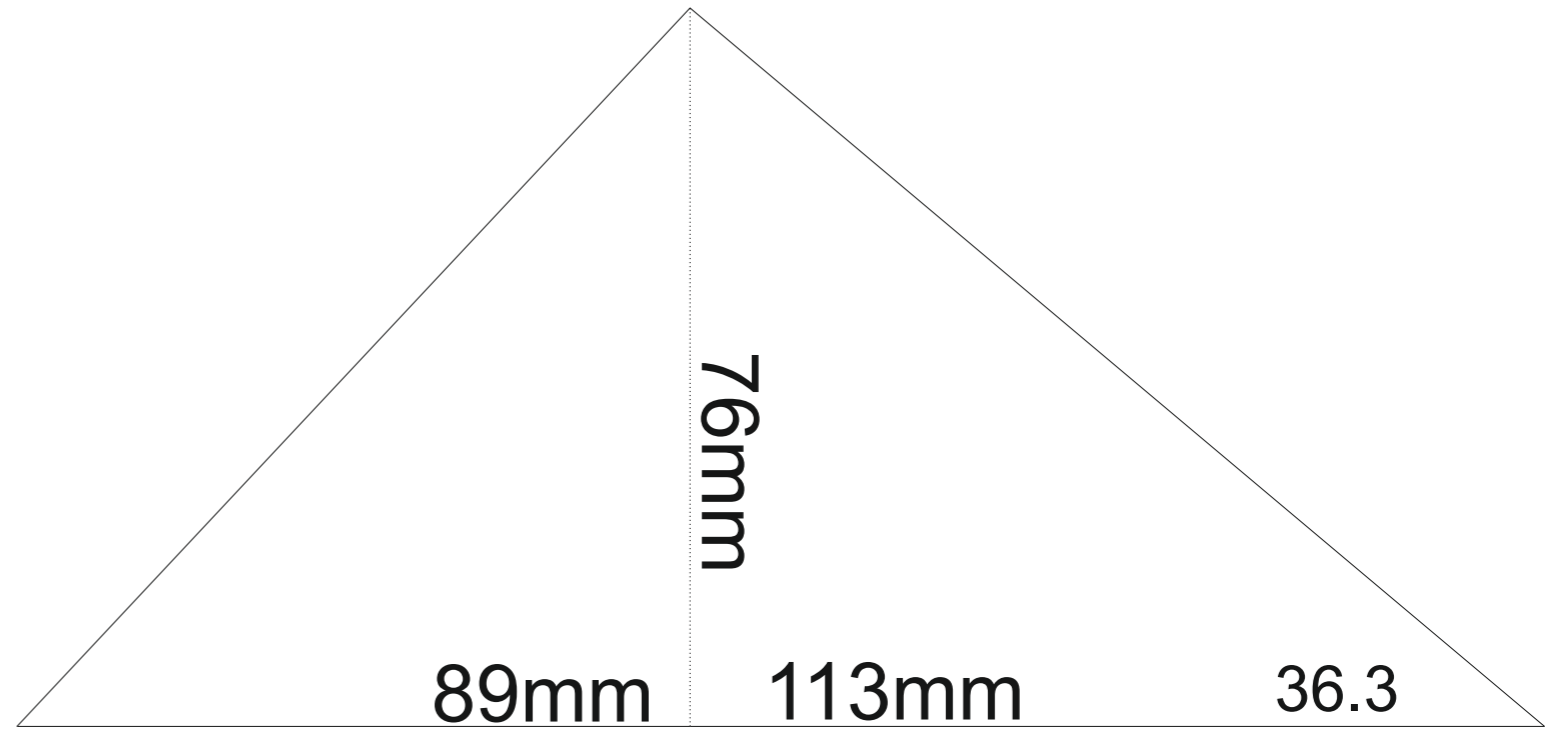
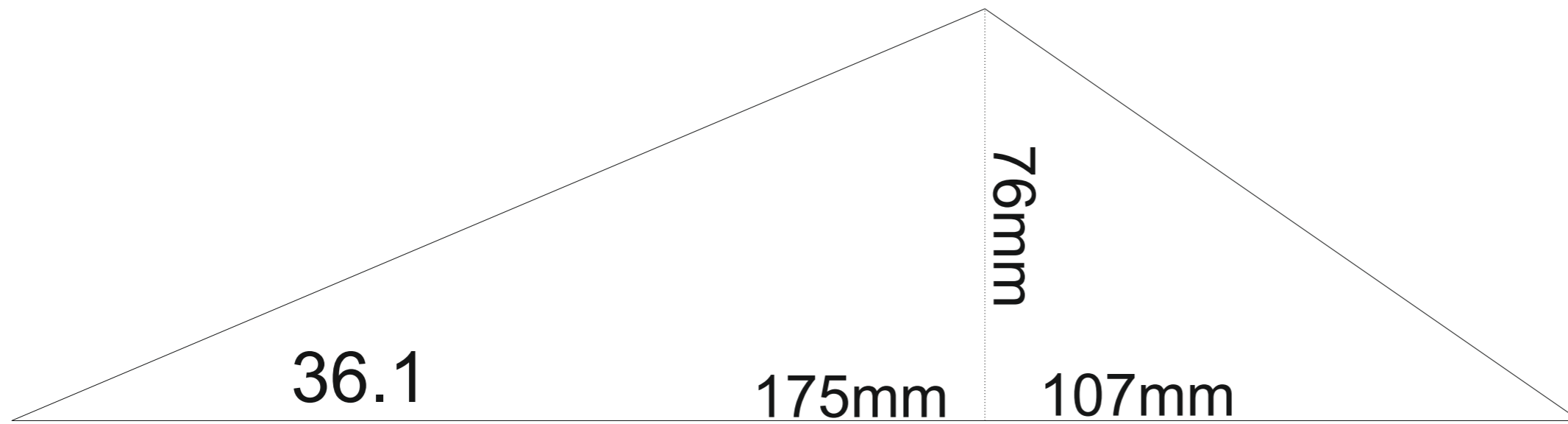
pattern in scale 1:1



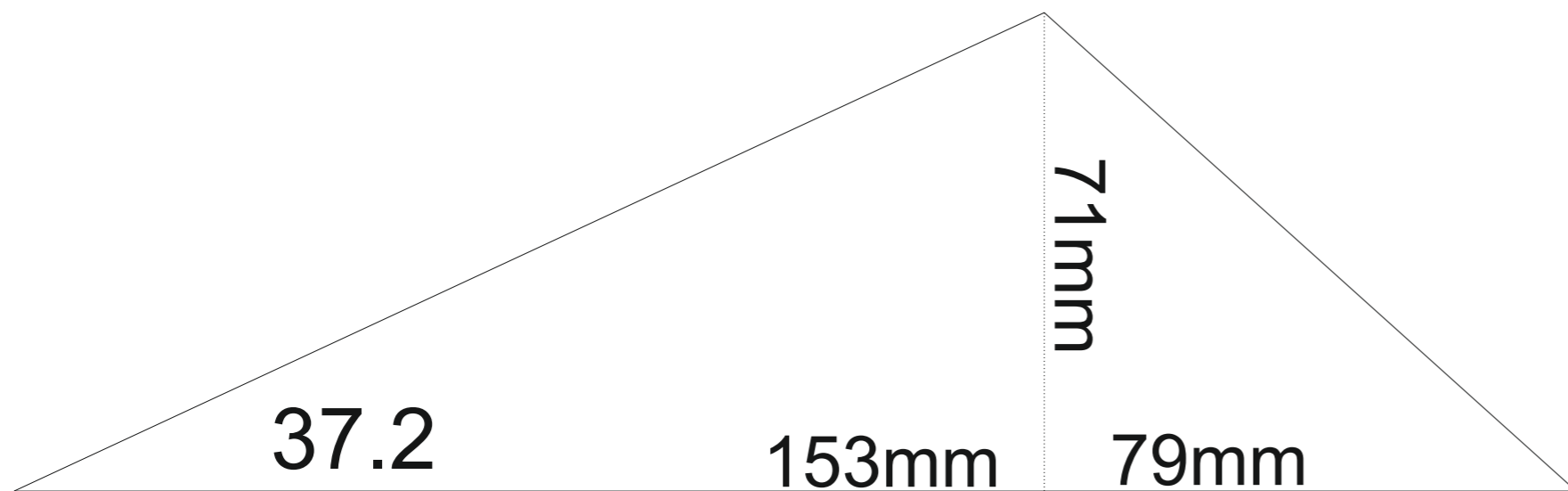
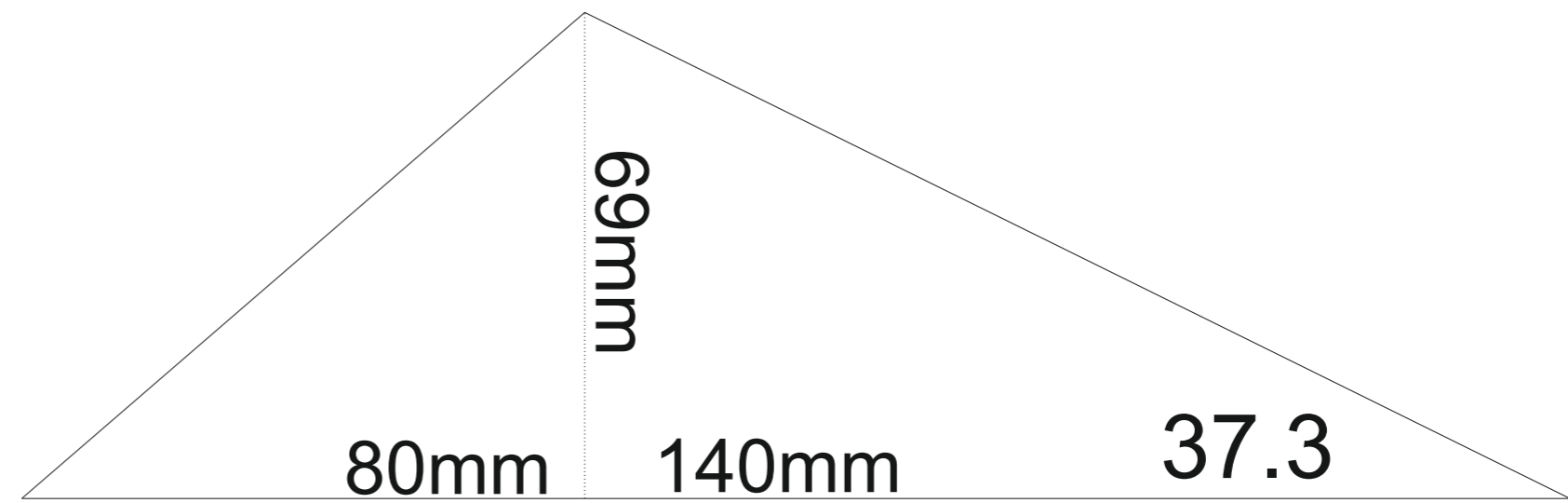
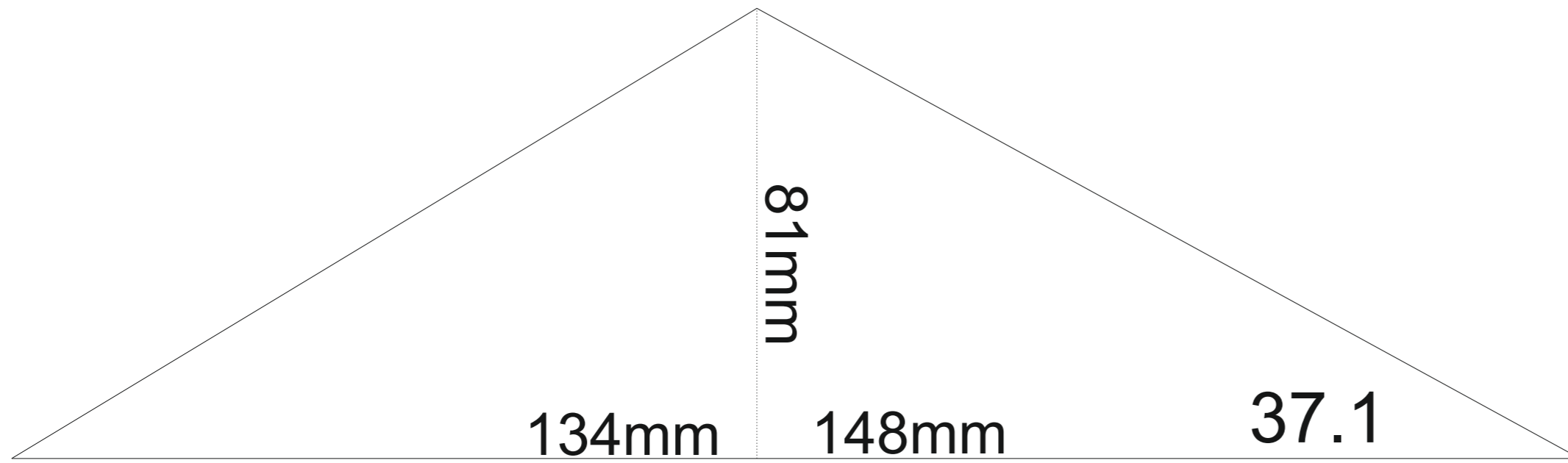
pattern in scale 1:1



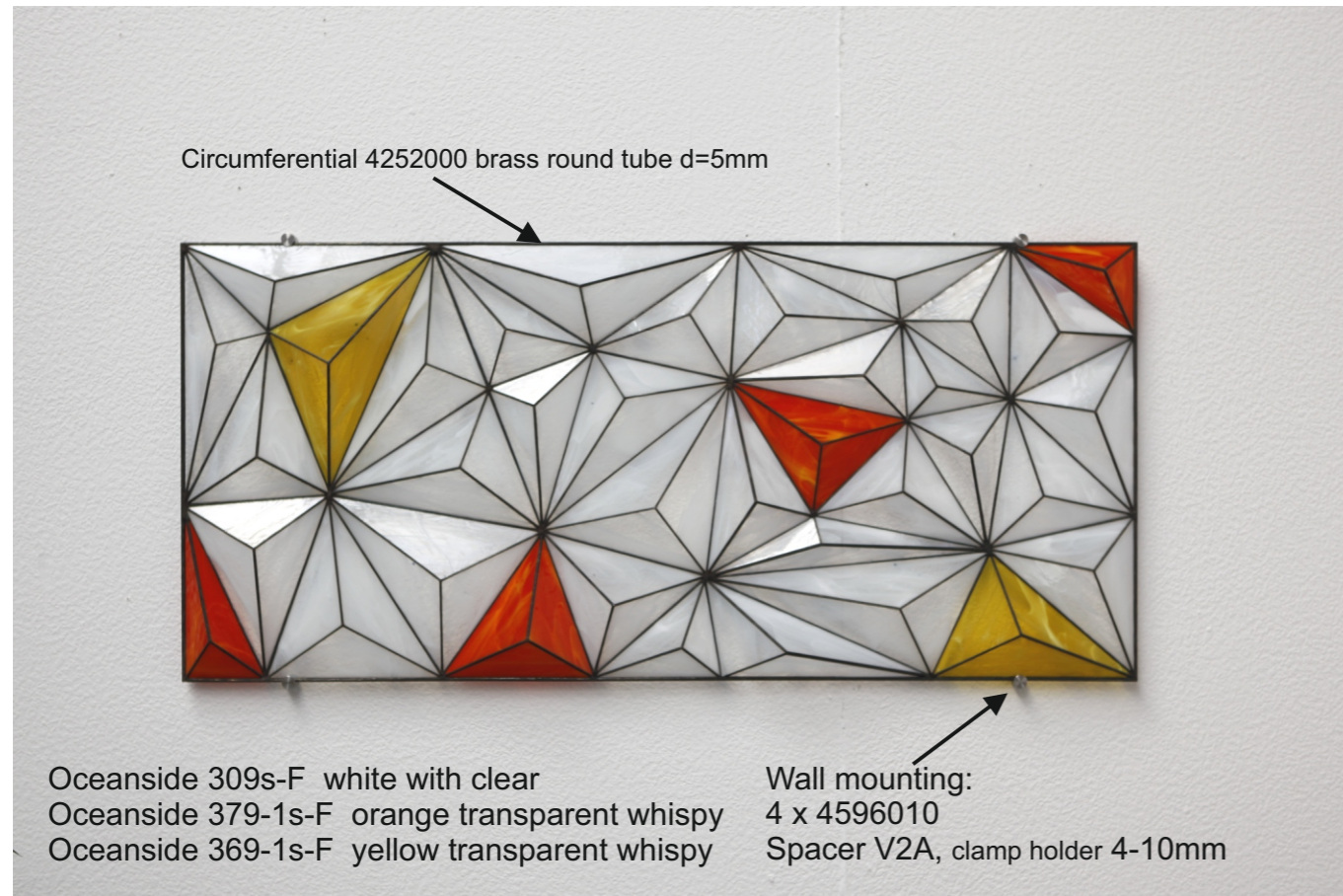
pattern in scale 1:1



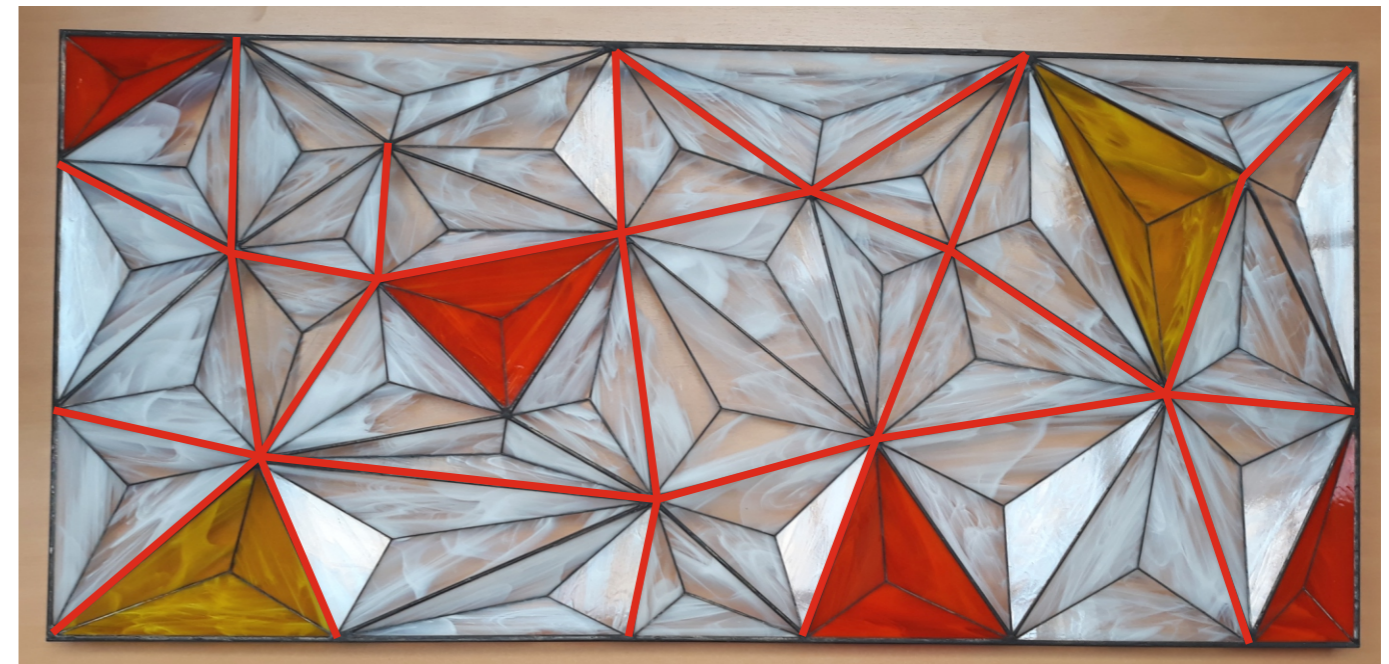
pattern in scale 1:1



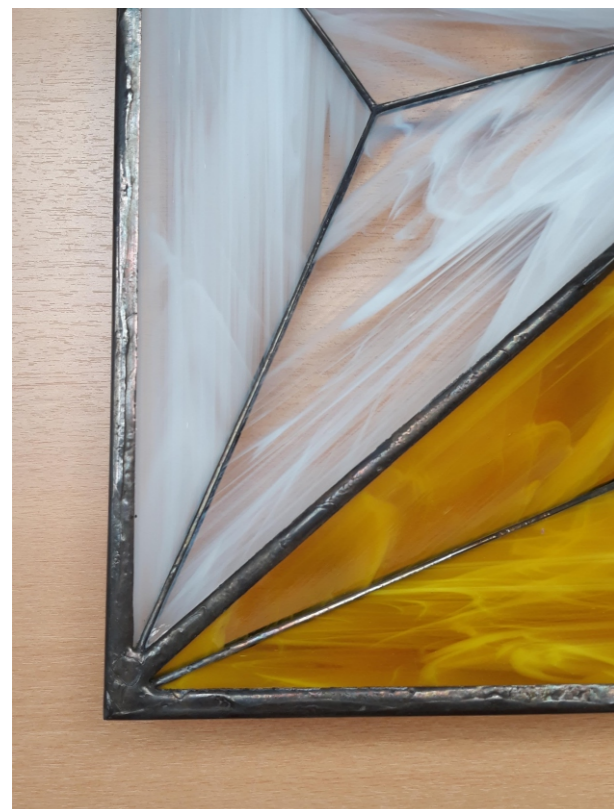
Wall design - Light and Shadow - original size approx. 62 x 140 cm (24" x 55")



The reinforcement on the back!



The size and lines of this glass picture make a reinforcement absolutely necessary. Solder a steel bar along the red marked solder seams (article 4220000, steel bar 3,6 x 1mm).



For stability and as a clean finish, I have circulating soldered a 5mm brass round tube. At the corners saw the pipe at 45 ° miter. The brass tube gives the picture the perfect frame.



The reinforcement in detail and now a lot of fun on the glass design!