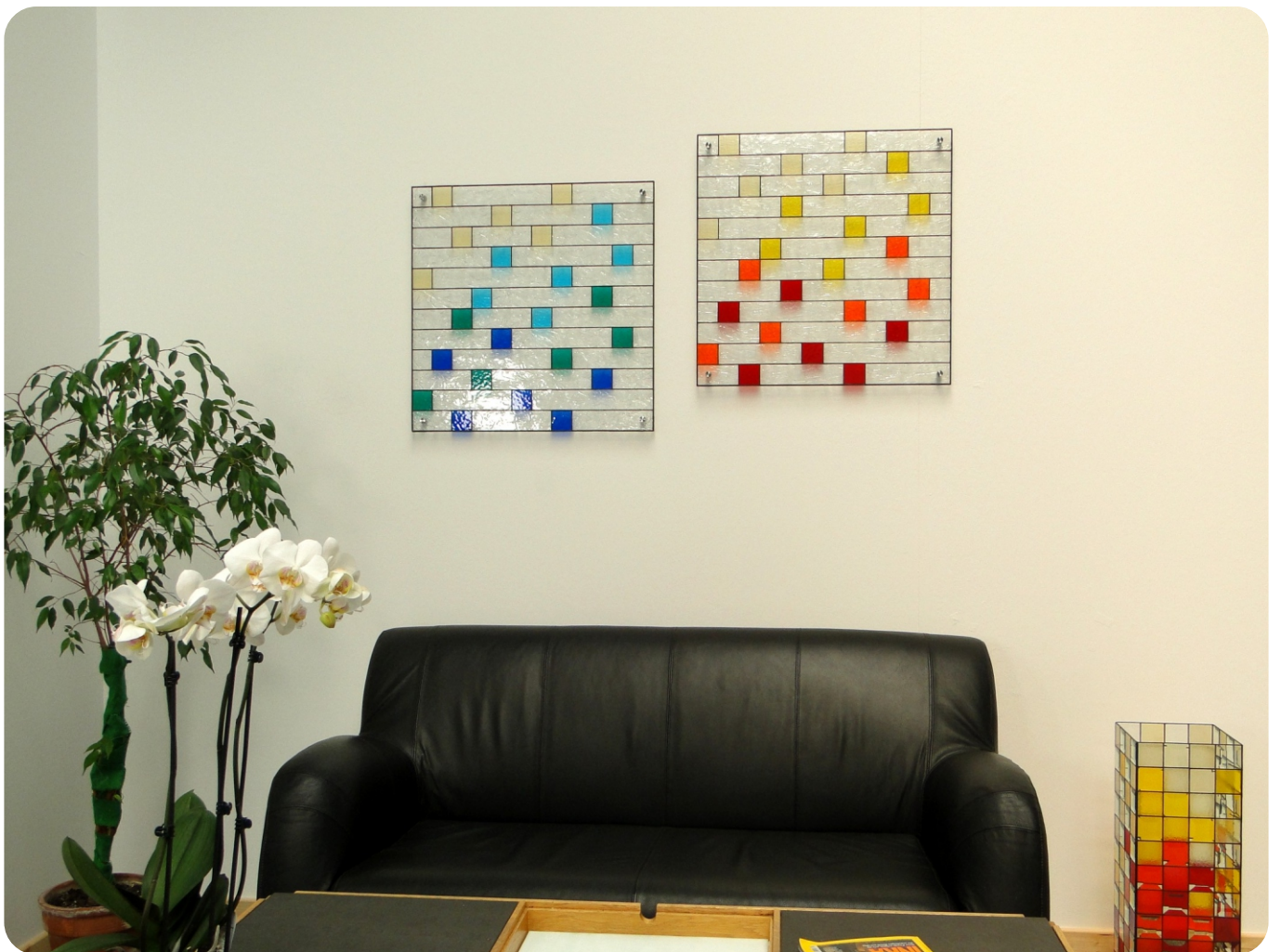
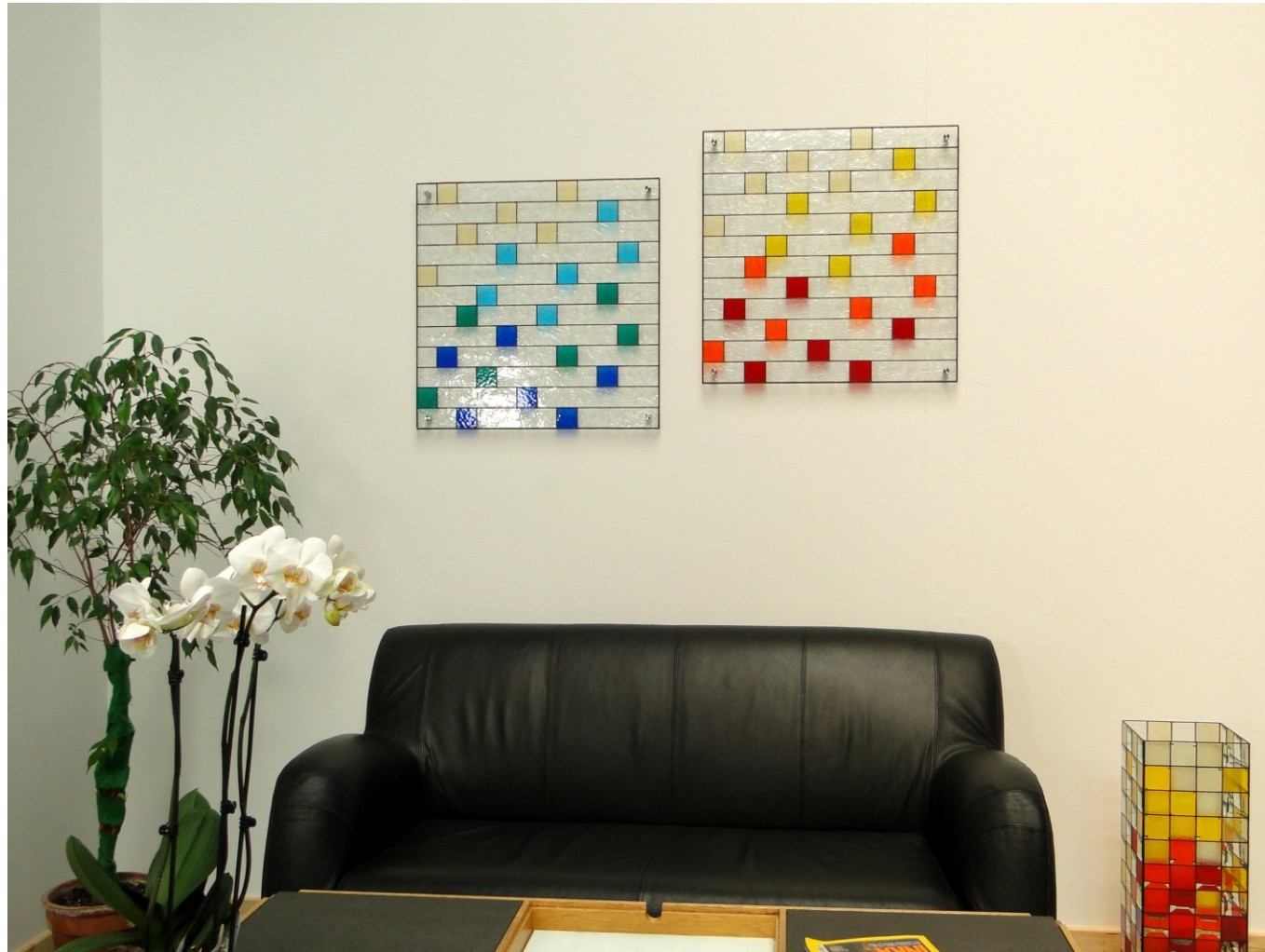


Wall Picture - Bricks

© www.inspiration-for-glass.com



Room design "Bricks"



Original size approx. 60 x 60 cm / 24" x 24" each





= here you drill a hole of about 6-7mm in diameter.
 You will need the four holes, for mounting
 the glass picture onto the wall.
 wall mounting with: distance holder 4596100

Original sizes:

colored glass:

- 6 x color A 50 x 50 mm
- 6 x color B 50 x 50 mm
- 6 x color C 50 x 50 mm
- 6 x color D 50 x 50 mm

cleat textured glass:

- 4 pieces 50 x 50 mm
- 6 pieces 100 x 50 mm
- 4 pieces 150 x 50 mm
- 8 pieces 200 x 50 mm
- 10 pieces 250 x 50 mm
- 2 pieces 300 x 50 mm

Glass selection:

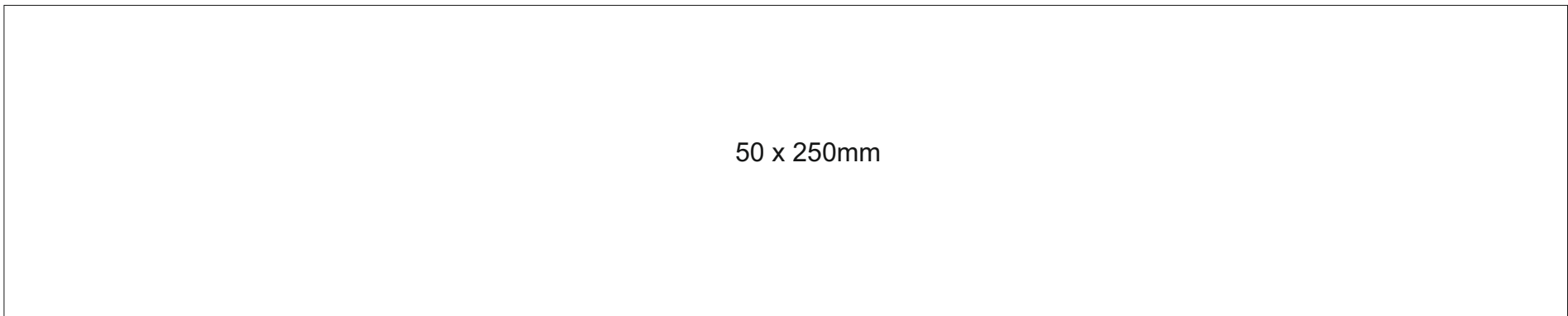
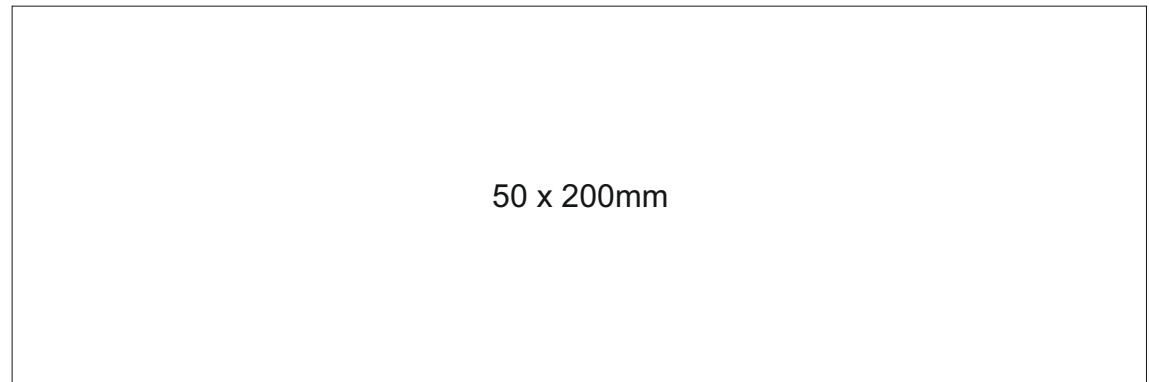
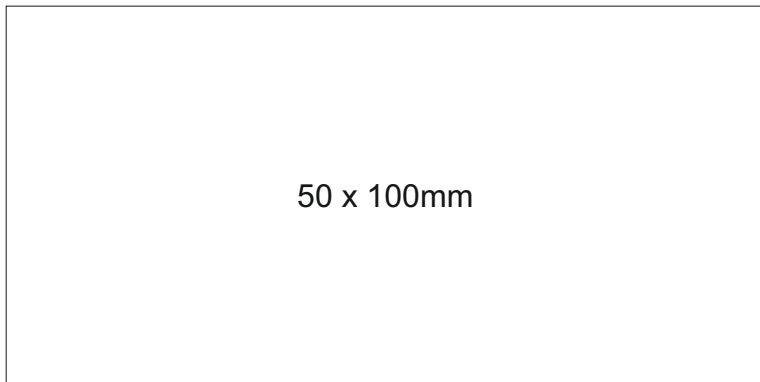
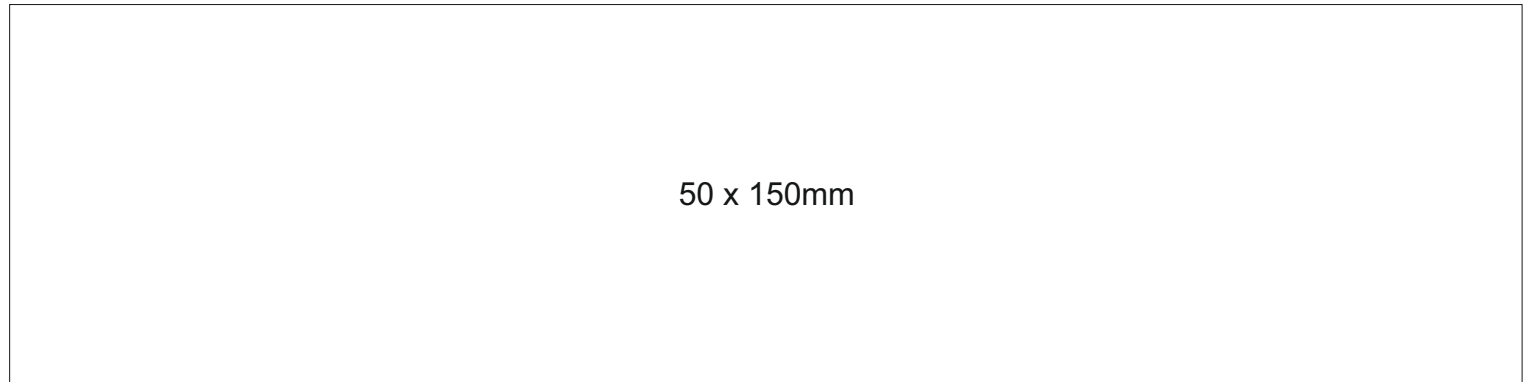
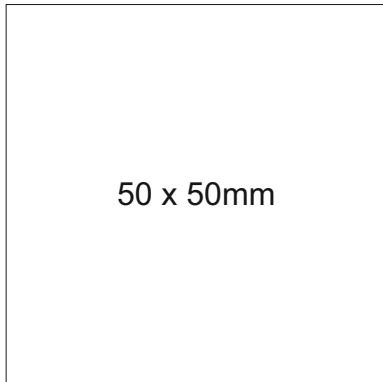
left picture:

- pieces A : Spectrum 110-1 RR
- pieces B : Spectrum 533-1 RR
- pieces C : Spectrum 523-2 RR
- pieces D : Spectrum 134 RR
- clear textured glass: Spectrum 100 K

right picture:

- pieces A : Spectrum 110-1 RR
- pieces B : Spectrum 161 RR
- pieces C : Spectrum 171 RR
- pieces D : Spectrum 151 RR
- clear textured glass: Spectrum 100 K

For a stronger construction please sold around the picture with two layers of reinforcing bar of 3,6x1mm (4220000)





50 x 300mm